

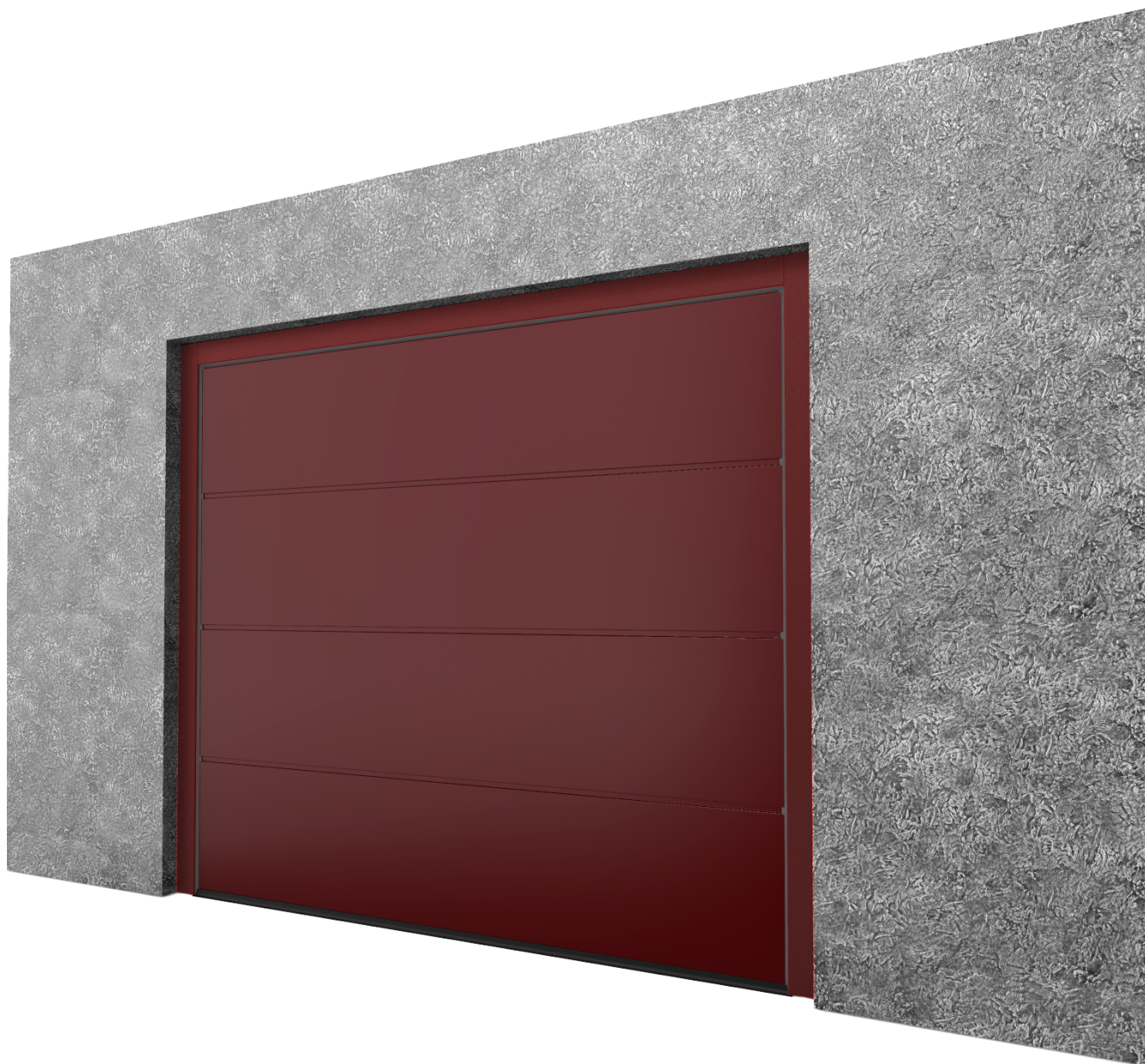
SECTIONAL GARAGE DOOR UNIPRO SNP 2.0 JD UK

Installation Instruction

EN – 2/2

ORIGINAL INSTRUCTION

The document is for the Professional Installer



WISNIEWSKI

GATES | WINDOWS | DOORS | FENCES



TABLE OF CONTENTS

1. Overview	2
2. Terms and definitions acc. to standard	2
3. Description of symbols	2
4. Safety guidelines	3
5. Required installation conditions	3
6. Installation errors	3
7. Environmental protection	3
8. Installation instructions	3
8.1. Installation sequence	4
8.2. Additional installation options	4
8.3. Drive unit adjustment	4
8.4. Overload adjustment	4
8.5. Manual control buttons	4
9. Finishing tasks	4
10. Door disassembly	5
11. Installation	6
12. Options	30



[A000177] **Read this Installation Manual, as well as the UniPro SNP 2.0 JD UK Operating and Maintenance Manual, and observe all the instructions.**

1. OVERVIEW

See: “UniPro SNP 2.0 JD UK Operating and Maintenance Manual”.



- [A000132] **The product may be installed and adjusted by a PROFESSIONAL INSTALLER only.**
- [C000445] The electric drive unit or the controller can only be installed and adjusted by a **PROFESSIONAL INSTALLER** who is competent in automation and mechanical engineering equipment for residential use and must do the installation and adjustments in accordance with the current laws of the country of use.
- [A000097] **The manual covers the installation of the products with standard equipment and optional equipment components. The scope of standard and optional equipment is defined in the commercial offer.**
- [A000104] **Failure to observe the safety regulations, regulatory requirements, as well as instructions and recommendations provided in this Installation and Operating Manual voids all of the Manufacturer's obligations and guarantees.**

[A000179] The overview drawings provided in the manual can differ in terms of manufacturing details. These details are shown in separate drawings where necessary. During installation, make sure to observe the OHS regulations regarding: installation work, locksmithing work done with power tools depending on the installation technology used, and follow all the applicable standards and regulations, as well as the reference construction documentation. During the installation/refurbishment work, protect all the elements from plaster, cement, and gypsum splashes. They might leave stains.

After completing the installation and making sure the product operates properly, give the Operating and Maintenance Manual to the owner. The manual should be protected from damage and kept safe.

[B000002] The type and structure of the building material to which the products will be fastened determines the choice of the mounting elements. By default, wall plugs intended for installation in solid materials with dense structure (e.g. concrete, solid brick) are supplied together with the product. If the product is installed in other materials, the mounting elements should be substituted with ones appropriate for installing in the materials of which the walls and the ceiling are made. Wall plugs or anchors must be certified for use in construction and must be selected in accordance with the Manufacturer's instructions taking into account the required load-bearing capacity. The installer should follow the mounting element selection guidelines supplied by the manufacturer of the mounting elements. The selected mounting elements should not negatively impact the functioning of the product.

[A000115] Assemble and install the product in accordance with the requirements of EN 13241. Install the product using only original fastening elements (e.g. bolts, screws, nuts and washers) supplied with the product, compliant with the EN or ISO standards.



[A000152] **Making any modifications or changes to the product accessories is strictly prohibited.**

[A000122] The Manufacturer shall not be liable for any damage or operating malfunctions caused by use of the product with equipment from other suppliers. Such use also voids the warranty issued by the Manufacturer. [B000129] The product shipping packaging is intended to protect the product during transport only. Protect the products in the packaging against weather. Keep the packed product on a hard and dry surface (which must be flat, level and resist variations in indoor conditions) located in sheltered rooms that are dry and well-ventilated; the storage location must be free from all external conditions which may damage the product components and its packaging.



Do not store in wet rooms and/or rooms with vapours which may damage paint coats and/or galvanic coats.

[B000025] Airtight foil packaging must be unsealed when storing the doors to avoid adverse change of microclimate inside the packaging. Failure to do so may result in the damage of painted and zinc plated coating.

[A000157] Waste and packaging materials (plastic, cardboard, polystyrene, etc.) comply with the applicable European standards. Nylon and polystyrene packaging should be kept out of reach of children.

[A000153] Secure the product against toppling and protect it from any sort of damage during assembly and storage.

[C000075] The wiring system and the electric shock protection installations are defined by current norms and regulations. Only a qualified installer is allowed to perform electrical works.

- The drive feed circuit should be equipped with a cut-off protection, a residual current circuit-breaker, and an overcurrent protection.
- The gate power supply system should be executed as a separate electrical circuit.
- Grounding of the drive unit is obligatory and should be done in the first place.
- Disconnect power supply prior to any works on the electrical system. Disconnect any backup batteries, if used.
- If fuses trip, identify the cause and eliminate the fault before restoring normal operation.
- In case a problem persists and information from this instruction fails to help, contact the manufacturer technical department.
- Any rework or repairs on the system should be conducted only by a professional installer.
- Usage other than stated in this instruction is not allowed.
- Neither children nor adults should stay within the gate operating area.

2. TERMS AND DEFINITIONS ACC. TO STANDARD

See: “UniPro SNP 2.0 JD UK Operating and Maintenance Manual”.

3. DESCRIPTION OF SYMBOLS

Ho – opening height

So – opening width

Hb – gate height

Sb – gate width

N – minimum required lintel height


W1 – minimum required side clearance


W2 – minimum required side clearance


E – minimum room depth with clearance under the ceiling




[C000493] this sign refers to a specific item in this Installation Manual.


 symbol referring to a specified drawing


 symbol referring to a specified page


 correct position or action

 incorrect position or action

 option

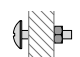
 manually operated product


 power operated product


 supervision

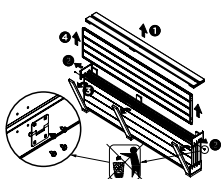
 tighten

 unscrew


 do not tighten completely

 use little force

 use high force

 [C000392] Removing the panels from the packaging. Do not discard the panel fixing screws, you can reuse them to install the hinges.



 [C000393] Protect the products against weather.

4. SAFETY GUIDELINES

See: “UniPro SNP 2.0 JD UK Operating and Maintenance Manual”.

5. REQUIRED INSTALLATION CONDITIONS

[B000027] The doors can be mounted to reinforced concrete walls, those made of bricks, or steel frameworks. A room intended to mount the doors should be finished completely (plastered walls, finished floor), walls must not have any faults in quality of work. The room should be dry and free of chemicals being harmful for coating paints. Both side walls, the frontal wall and door assembly opening lintel must be vertical and perpendicular to the floor, and must be finished.



It is prohibited to install the door in a room in which finishing works are still to be done (plastering, gypsum finishing, grinding, painting, etc.).

Floor in bottom sealing area must be levelled and constructed in such a way as to ensure free water drain. Appropriate ventilation (drying) of garage must be ensured.

[A000086] The clear installation area must be free of all pipes, lines, cables, etc.



[A000040] According to the current European regulations, a power-operated gate must be manufactured along with Directive 2006/42/EC. It must follow the following standards, as well: EN 13241, EN 12453, and EN 12635.

Before proceeding with the installation, a risk analysis must be performed, including all safety conditions, as provided by Appendix 1 Machine Directive, to indicate solutions to be used with the installation (planning permission).

[B000149] The installation should be performed at a temperature not lower than 5°C, the structure should be protected against the adverse effects of ambient conditions such as water, snow, construction site dust, all types of mortars.



- [C000081] **The product cannot be installed in an explosive atmosphere. Safety hazard.**
- [C000520] **The door drive unit should be protected from contact with water.**
- [C000184] **It is prohibited to open the door leaf if the guides are not mounted.**

6. INSTALLATION ERRORS

[B000048] There is a risk of errors occurring during installation. Errors are easy to avoid by making sure that:

- tracks are properly installed in accordance with the descriptions in this instruction manual,
- the leaf forms an even surface after it is closed, the segments/modules should not show any deformation; any displacement of segments/modules in relation to each other should be corrected,
- the product and its components are adjusted in accordance with the instruction manual,
- all the fastening elements are tightened with proper torque,
- accessories operate properly.



[A000151] Disregarding these basic recommendations may cause malfunctioning, damage or warranty loss of the door.

7. ENVIRONMENTAL PROTECTION

See: “UniPro SNP 2.0 JD UK Operating and Maintenance Manual”.

8. INSTALLATION INSTRUCTIONS

[A000041] Proper operation largely depends on correct installation of the product. The Manufacturer recommends its authorised installation companies. Safe and intended operation of the product can only be ensured by correct installation and maintenance carried out according to the Manual.

[A000164] Before you start the installation, check whether the product and all the components are fit for use. Make sure that all the materials and elements are in a perfect condition and are suitable for use.

[D000145] The garage ceiling must provide safe installation of the operator. If the construction of the ceiling is too light or the ceiling is too high, the operator must be installed on a support structure adapted for the conditions in the room. Mounting the door or the operator fixing elements in a way that allows their dislocation during operation is not allowed.

[D000146] Before drive installation, make sure that the door the drive is mounted on has been mounted and adjusted correctly and opens and closes easily. Also dismantle the fixing parts and the drive components which do not require power supply.



- **The drive must not be installed with a non-operational door.**
- **Disconnect the drive from a power source before proceeding with the installation works. Also a battery power supply should be disconnected if it has been delivered.**

[C000451] Do not connect the drive unit to a power source before completing the installation process.

[B000096] When installing the drive unit, recommendations of the door manufacturer, manufacturer of the drive unit and the accessories should be observed. To connect the drive unit, only original subassemblies must be used.

[B000215] Fitting works should be carried out in accordance with the European directives and standards: 2014/30/UE; 2006/42/WE; 2014/35/UE; EN 13241 as amended. Install safety units (photocells, safety bars, etc.) according to applicable standards to protect persons, animals or objects that can appear near the gate from hitting, injury or damage.



- [A000165] **It is forbidden to use any additional end fittings or alter the existing ones without the Manufacturer's consent.**
- [A000129] **Install the operator using the holders and adapter brackets provided by the Manufacturer.**
- [A000026] **Keep the packaging (plastics, polystyrene, etc.) out of reach of children.**
- [A000151] **Disregarding these basic recommendations may cause malfunctioning, damage or warranty loss of the door.**

8.1. INSTALLATION SEQUENCE

- Rys. 1 Before starting installation, do the following:
- check whether the wall type enables the door to be installed properly,
 - check the dimensions of the installation opening and the room where the product will be fitted.
- Rys. 2 Frame installation method.
- Rys. 3 Installation tools.
- Rys. 4 Installation accessories.
- Rys. 5 Methods of fixing the frame to the wall.
- Rys. 6 Fit gaskets on the frames.



Install only in temperatures over 5°C.

- Rys. 7 Screw down the mounting angle bars.
- Rys. 8 Install the fascia panel.
- Rys. 9 Screw down the track fastener.
- Rys. 10 Fit the frame, adjust the plumb and level.
- Rys. 11 Check the spacing of the frames in the top, middle, and bottom sections.
- Rys. 12 Mark out the installation holes.
- Rys. 13 Drill the installation holes.



If the drilled hole coincides with the wall reinforcement, use the second fixing hole.

- Rys. 14 Place anchors in the holes.
- Rys. 15 Screw down the frame to the wall.
- Rys. 16 Install the horizontal track and the track fastener. Screw down the bumper.
- Rys. 17.1 Ensure the horizontal track is level, make sure the lengths of frame diagonals match, mark out the holes for the suspension bars.
- Rys. 17.2 Drill the installation holes. Place anchors in the holes.
- Rys. 17.3 Suspend the door on the ceiling.
- Rys. 18 Install the remaining suspension bars.



Ensure that the tracks are installed so that they do not shift when the door is operating.



- Cut the suspension bars, file the cut edges, apply corrosion protection to the edge.
- Rys. 21 Install the first door panel. Install the bottom roller holder. Screw down the bottom elements of the hinges to the panel.
- Rys. 22 Hinge installation method.
Install the subsequent panels. When installing the panels, maintain 1 to 2 [mm] gap between the panels. To ensure proper gap between the panels, use the provided cardboard pieces about 2 [mm] thick and place them between the panels near each hinge. Remove the cardboard after screwing down the hinges.
- Rys. 24 ↓
Rys. 26
- Rys. 27 Install the top roller holder.
- Rys. 28 Install the roller of the first panel so that it abuts the back wall of the guide.
- Rys. 28.1 Install other rollers so that they abut the front wall of the guide.

- Rys. 29 Lift the door leaf and secure against dropping.
- Rys. 30 Thread a double cable through the top roller next to the frame, through the spring pulley and the cable pull.



Installed cables must not cross.

- Rys. 31 Attach the spring to the tension adjuster.



The screw locking the spring eye mounting should be screwed in after adjusting proper cable and spring tension.

- Rys. 31.1 Check whether the cables and springs are properly tensioned. Adjust if required, adjust as follows:
- if the leaf drops visibly, increase the spring tension,
 - if the leaf lifts visibly, decrease the spring tension.



- **Observe the OHS regulations when tensioning springs.**
- **Failure to perform the above actions may cause the leaf to suddenly drop and injure people or damage items near the door.**

- Rys. 32 Before opening the door for the first time, perform the steps specified in section 9.

- Rys. 33 Before commissioning the door, lubricate the hinge joints, the running rollers, and the springs with e.g. Wurth HWS-100 semi-liquid grease.

8.2. ADDITIONAL INSTALLATION OPTIONS

- Rys. 3 [D000802] Install the bolt.
- Rys. 3.3 The deadbolt tube on the lock side should be screwed down lightly, allowing free movement. Fasten rigidly on the deadbolt side. Glue tube bushes to the panel. Tube bushes can be screwed down if required.
- Rys. 6 Install the handle for lifting the door leaf.
- Rys. 8 When installing the drive unit, lock the door deadbolts in the open position.
- Rys. 9 In automatic doors, the drive unit connector can be shortened to obtain full clear passage.

8.3. DRIVE UNIT ADJUSTMENT

See: "UniPro SNP 2.0 JD UK Operating and Maintenance Manual".

8.4. OVERLOAD ADJUSTMENT

See: "UniPro SNP 2.0 JD UK Operating and Maintenance Manual".

8.5. MANUAL CONTROL BUTTONS

- [C000008] Manual control buttons are installed:
- in a place where the operator will have an unobstructed view of the door and its surroundings,
 - in a place where the device cannot be turned on unintentionally.
 - away from moving parts,
 - at a height of at least 1.5 m.

9. FINISHING TASKS

[B000164] On completing the installation, check if the product has a marking plate in accordance with the standard, contact an authorised service company if it is not present.



On completing the installation, remove the plastic sheet from the product. Failure to do so will cause very strong bonding of the plastic sheet to the structure caused by heat and sunlight. This will make it almost impossible to remove the plastic sheet and may cause severe damage to the paint finish of the product.

[C000481] Warning labels should be attached permanently in a visible location near the door or the central control unit.

[D000200] An installer is obliged to perform the risk analysis for the gate operation, and inform a user/ owner accordingly. An operating gate usually involves the following risks: hitting and crushing within the closing zone; hitting and crushing within the opening zone; injury from entrapment between the leaves; hazards of mechanical nature involved in the gate operation. Before operating the gate, ensure that the persons are at a safe distance. During gate operation, do not touch the gate moving parts. Keep a safe distance during gate opening: it is allowed to go through the gate clear opening only when it has fully opened and stopped.

[D000201] Check the following before the final handover of the product to the owner:

- proper functioning of all safety devices (photocells, etc.),
- manual start and stop,
- remote control start and stop,
- function logic,
- the safety devices operation in simulated emergency situations



- [C000457] **Verify proper performance of all safety equipment (overload switch, optical sensor strip, photocells, etc.).** The door must stop and reverse when the door leaf touches any object 80 [mm] in diameter at the height of 50 [mm] when standing on the ground.
- [B000209] **Verify proper adjustment of the product and its compliance with EN 13241, EN 12453.** Do the checks explained in Section. 8.3, 8.4.
- [C000459] **Verify proper adjustment and performance of the manual drive unlocking.**
- [C000014] **Check visually the door and the whole system for maladjustment, mechanical damage, tear and wear evidence, cables or operator parts damage.**
- [B000007] **It is prohibited to keep using the door, if any faults in its operation, or damage of its components are found.** Do not operate; contact an authorised service centre or a Professional Installer.
- [B000216] **Check the emergency opening mechanism supplied with the operator.**
- [A000144] **The Professional Installer must explain proper operation of the product to its user, including the emergency procedures, and train the user in proper use.**
- [A000011] All the actions should be carried out as instructed in this Installation and Operating Manual. Please send any remarks and recommendations you might have to the owner in writing, e.g. note them in the Report Book or in the Warranty Sheet. After completing the inspection, confirm that the inspection was performed by adding an entry in the Report Book or in the Warranty Sheet.
- [A000180] **After making sure the product operates properly, give the Operating and Maintenance Manual to the owner.**
- [B000183] **Keep the door pack list for future reference.**
- [A000151] **Disregarding these basic recommendations may cause malfunctioning, damage or warranty loss of the door.**
- [B000094] **Failure to perform the above-mentioned work may cause the door leaf/curtain to suddenly drop and injure people or damage items near the door.**

10. DOOR DISASSEMBLY

- [C000022] Close and lock the door.
- Release the tension of door springs.
- Perform the assembly procedure in the reverse order.

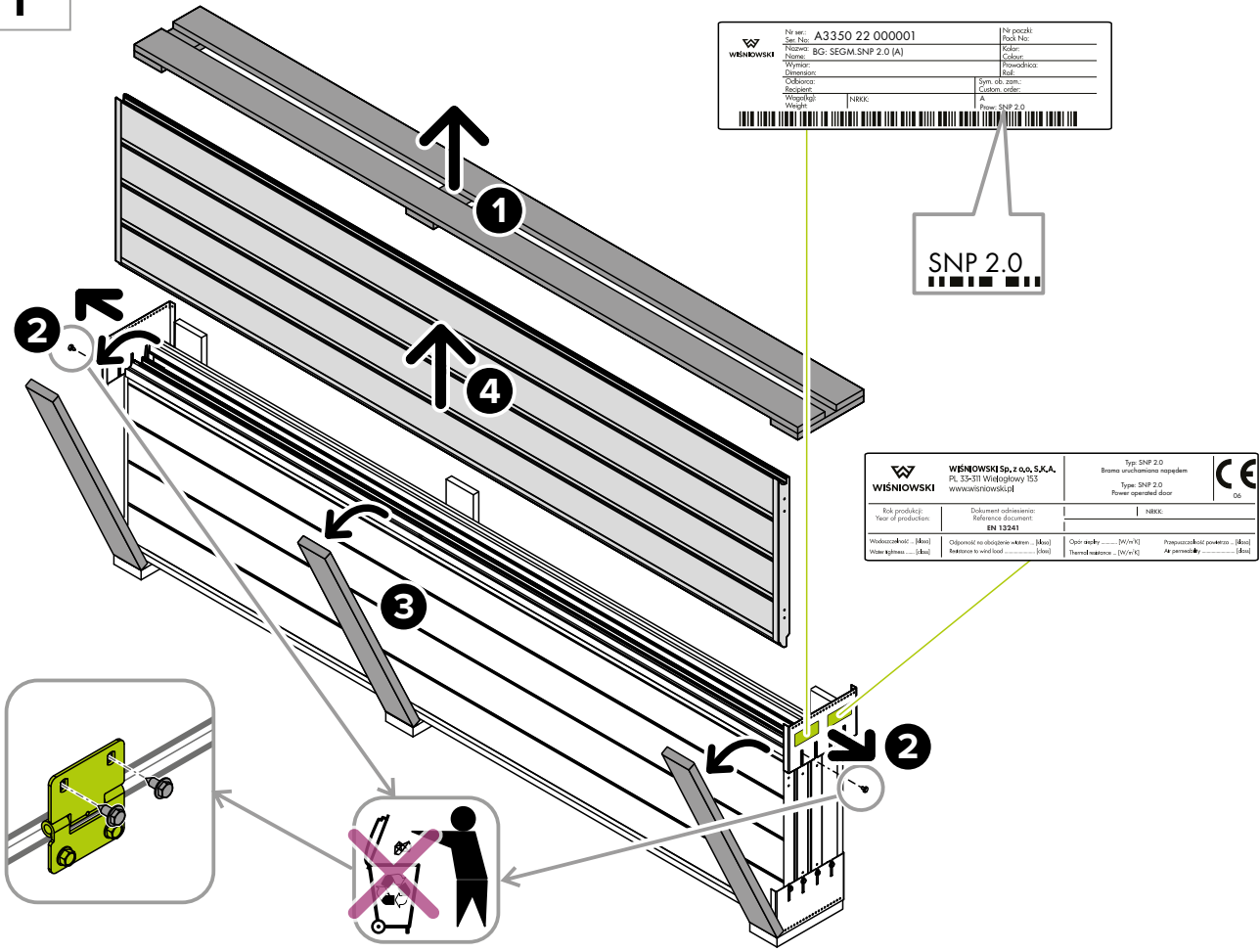


[A000011] **All the actions should be carried out as instructed in this Installation and Operating Manual. Please send any remarks and recommendations you might have to the owner in writing, e.g. note them in the Report Book or in the Warranty Sheet. After completing the inspection, confirm that the inspection was performed by adding an entry in the Report Book or in the Warranty Sheet.**

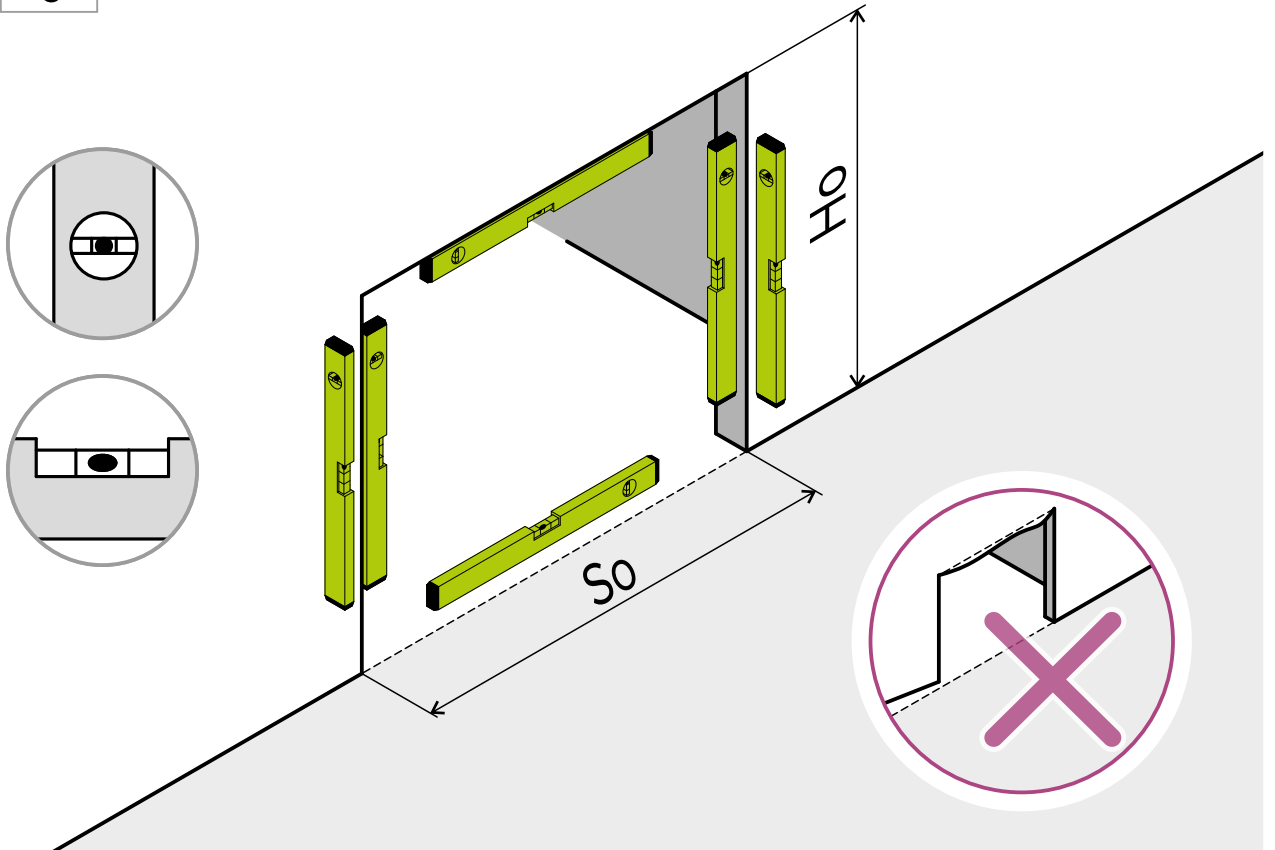
 [A000079] **The manufacturer reserves the right to introduce design modifications due to technological progress that do not alter the product functionality, without prior notice.**

This documentation is copyright of the manufacturer. Copying, reproduction and usage in full or in a part without the written consent of the owner is prohibited.

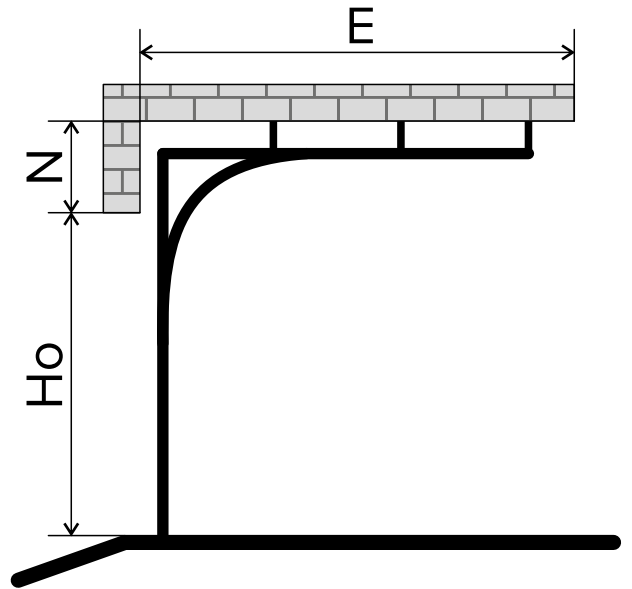
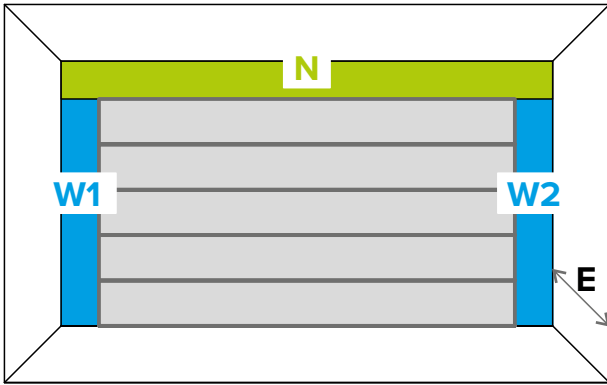
1



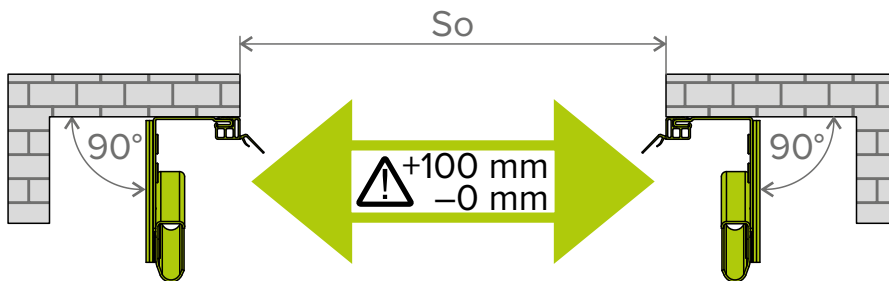
1.1



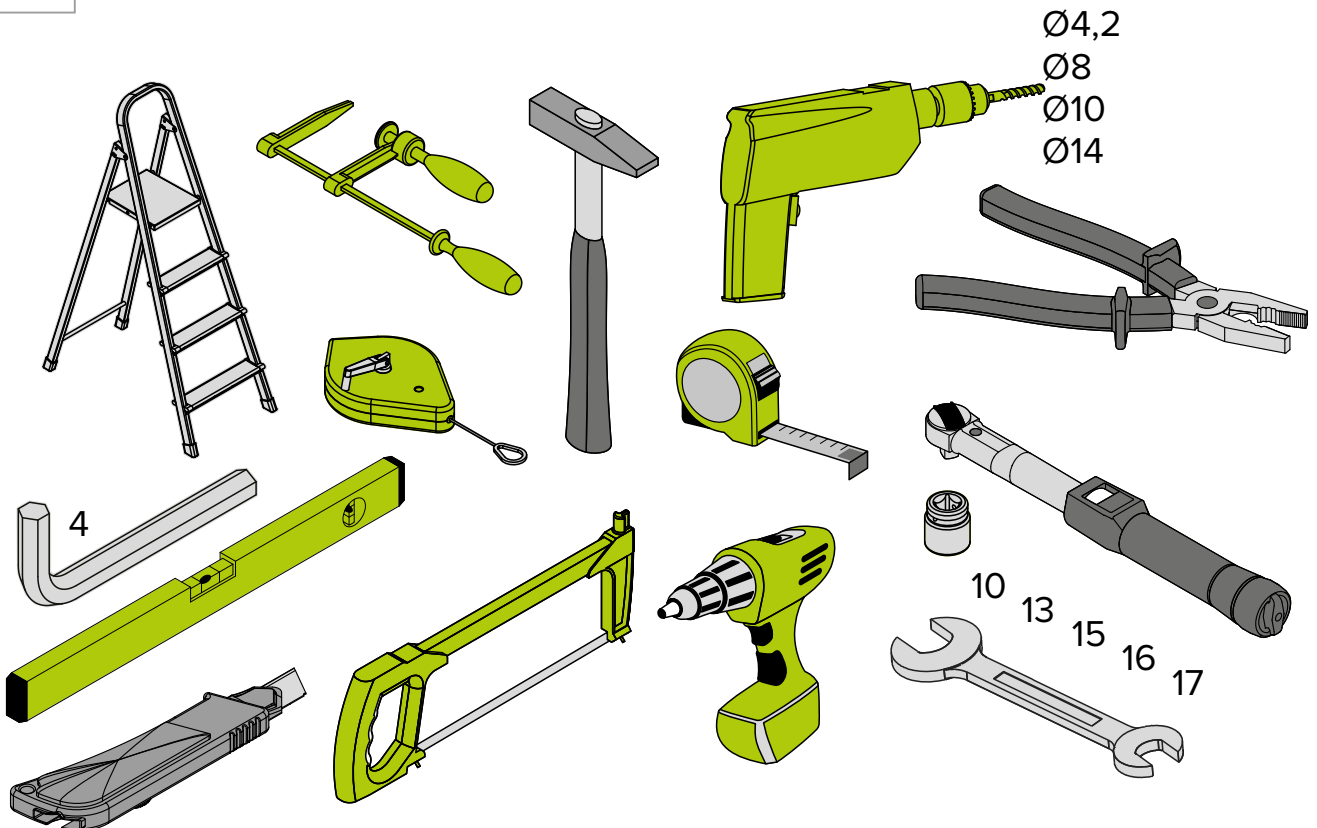
1.2



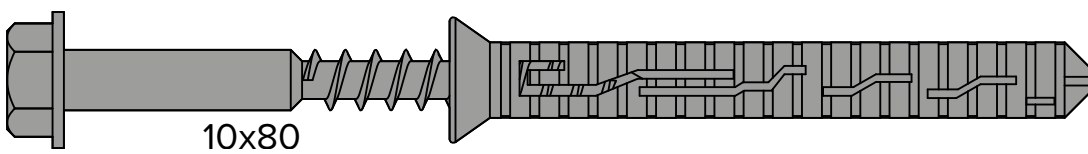
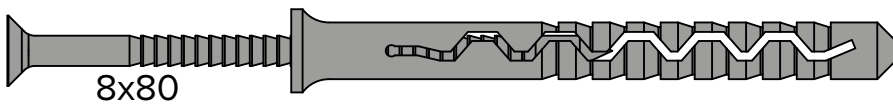
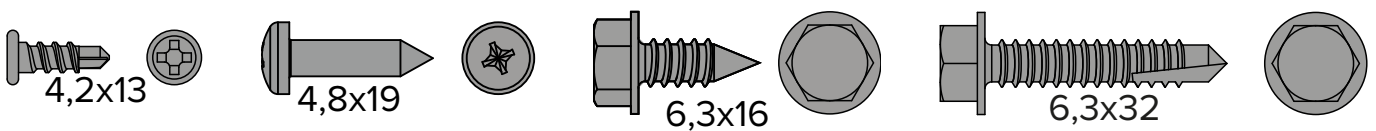
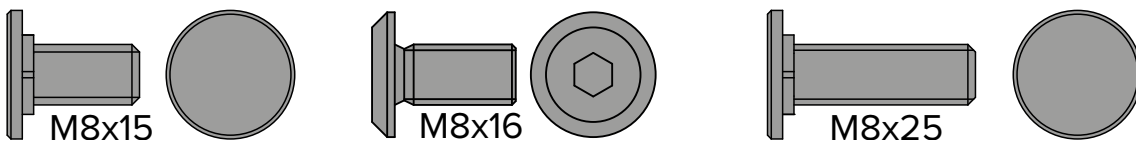
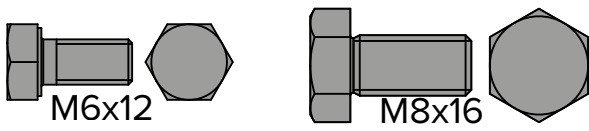
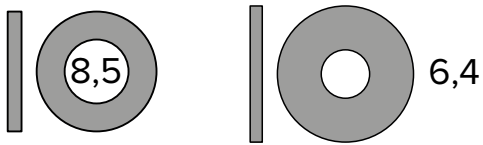
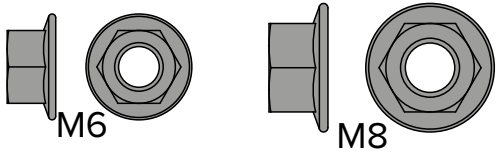
2



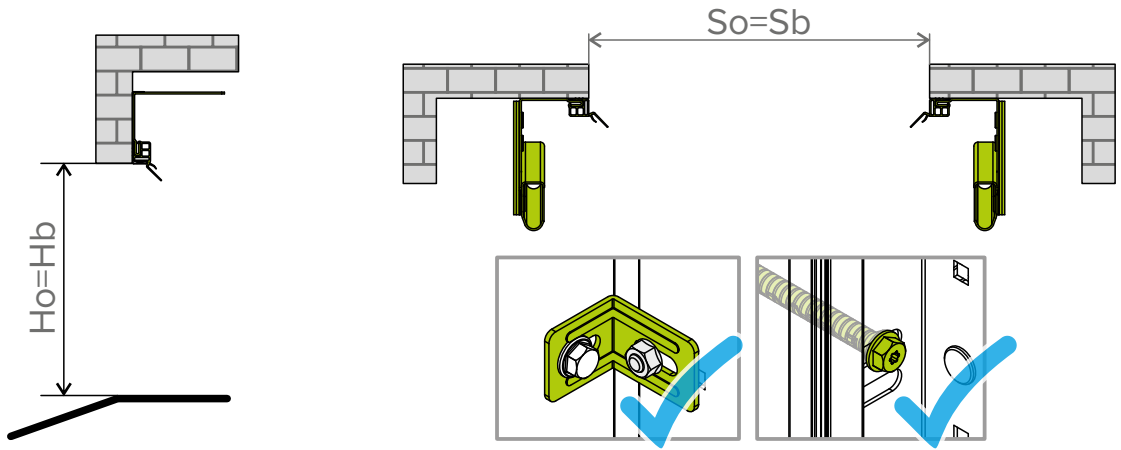
3



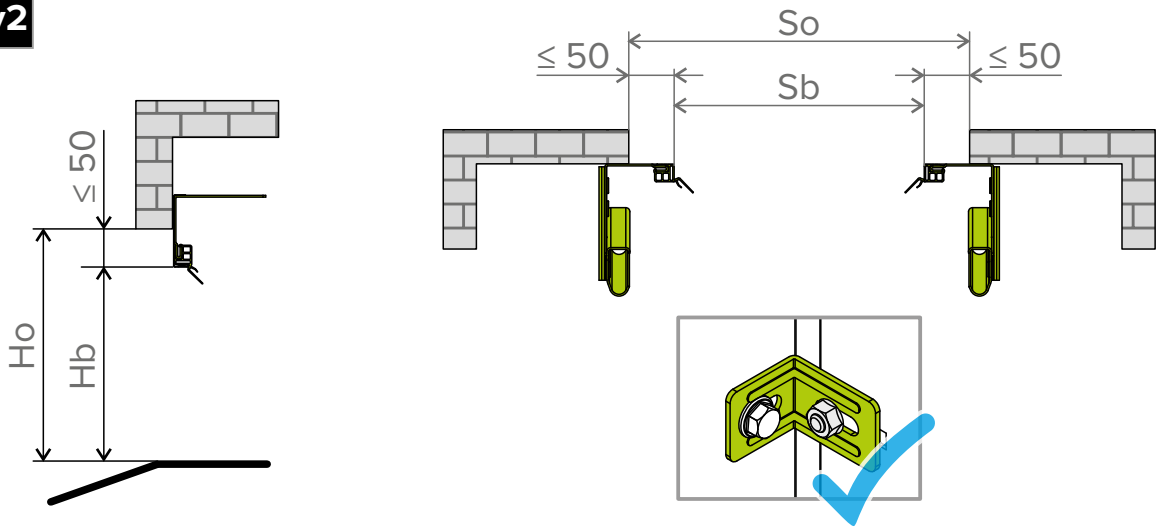
4



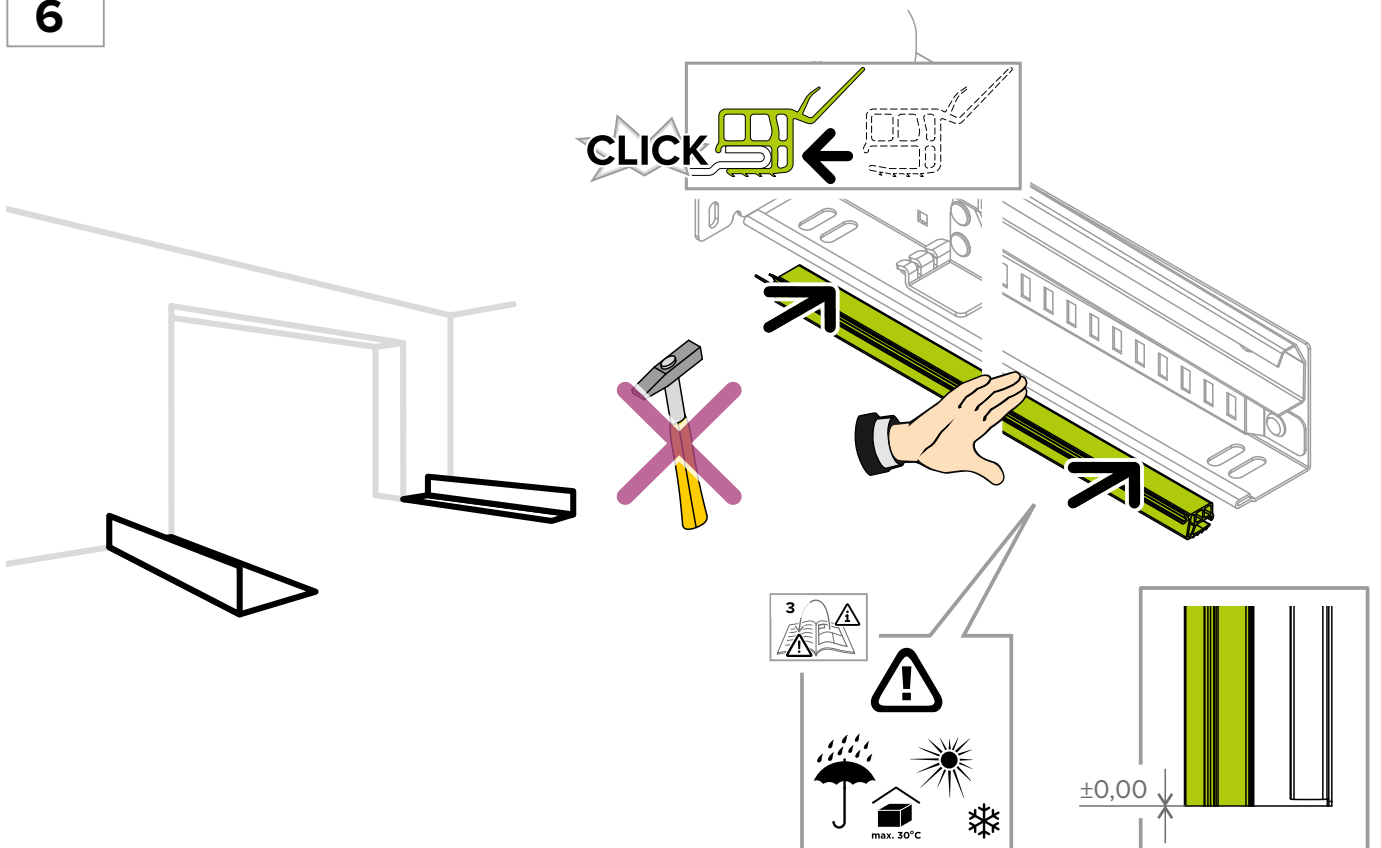
5 v1



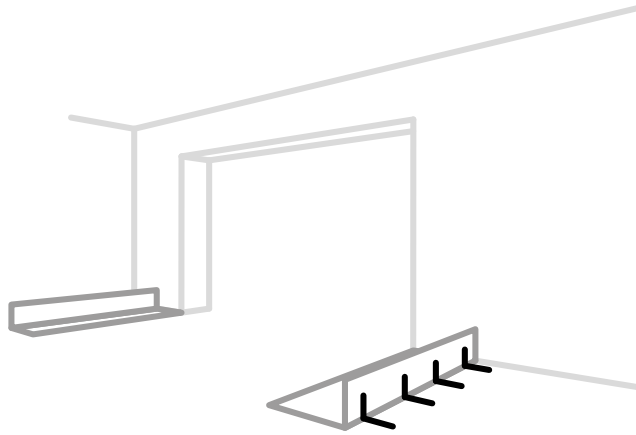
5.1 v2



6



7

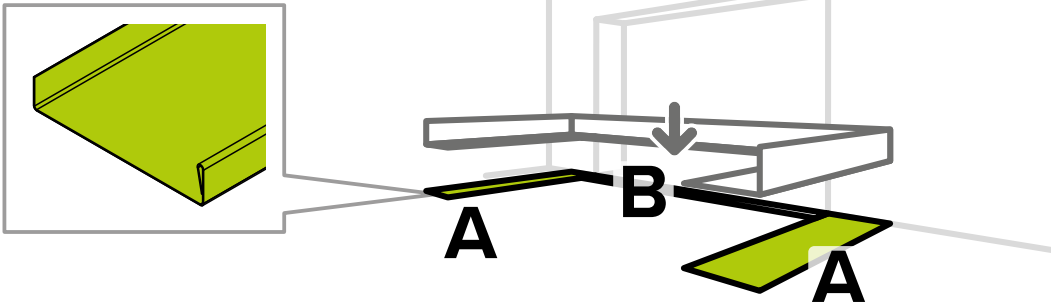
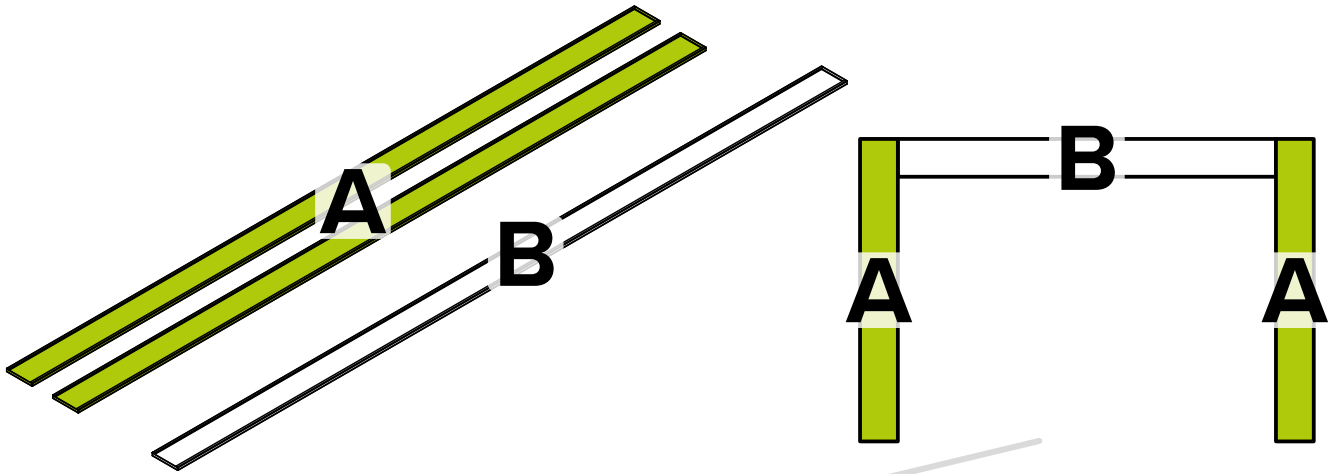


7.1 v1 20Nm M8 M8x15

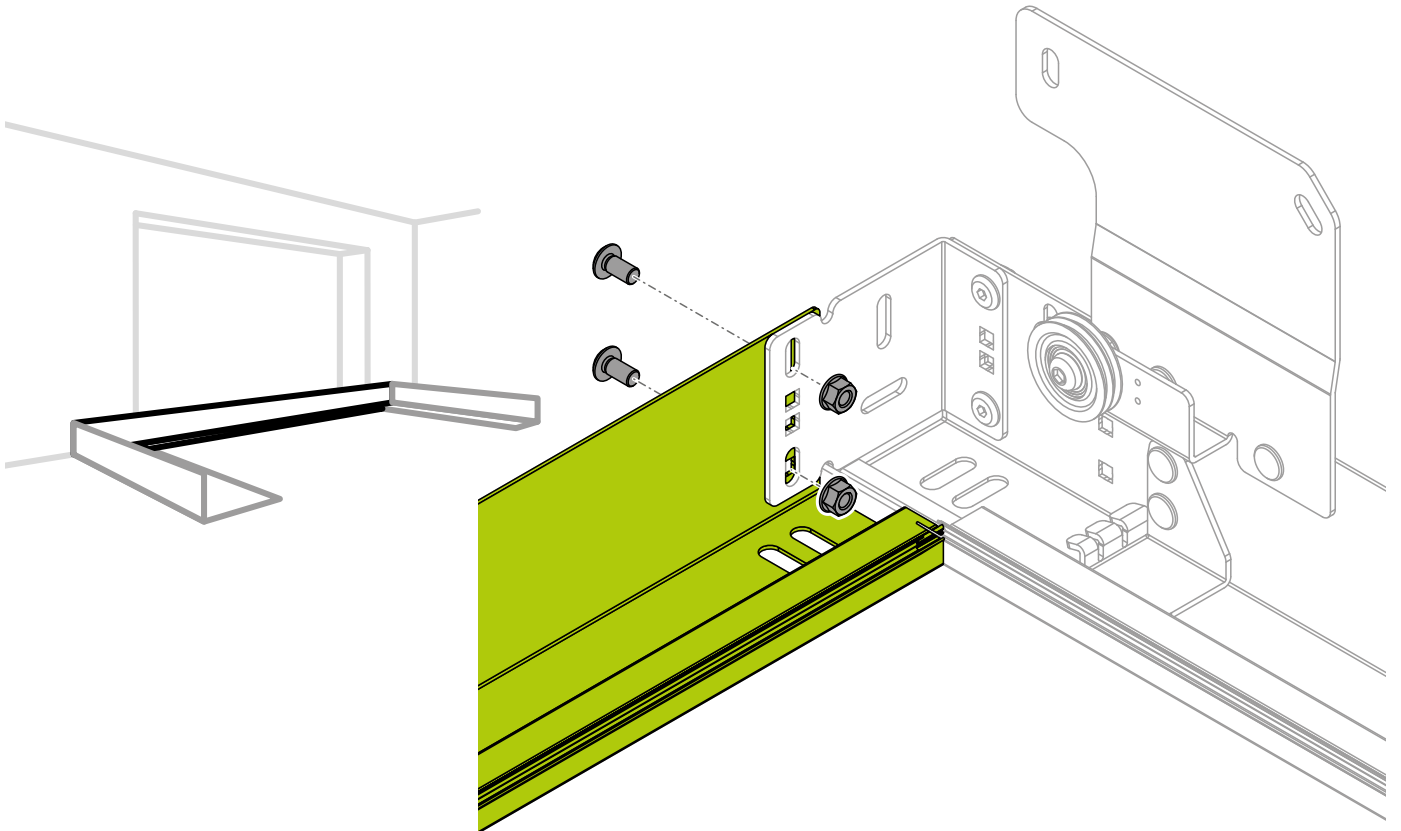
7.2 v2 32 33 20Nm M8 M8x15

7.3 v3 20Nm M8

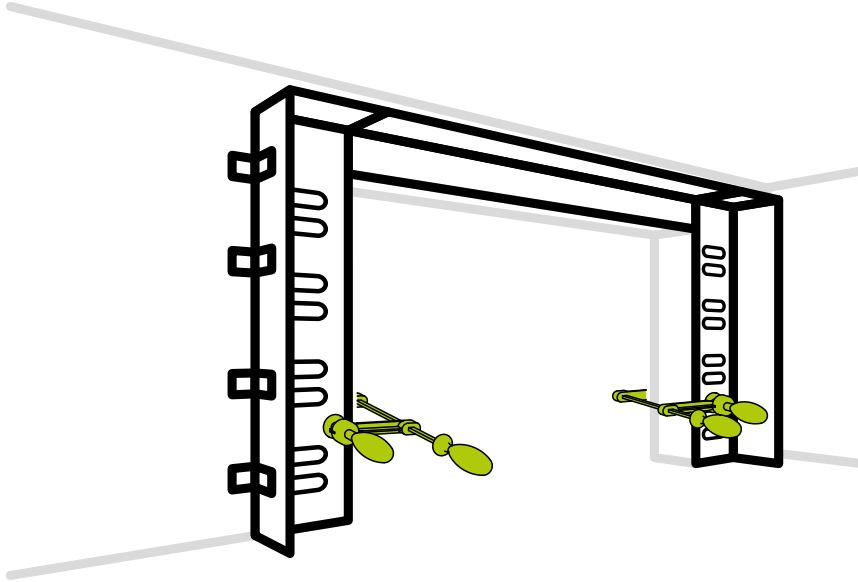
8



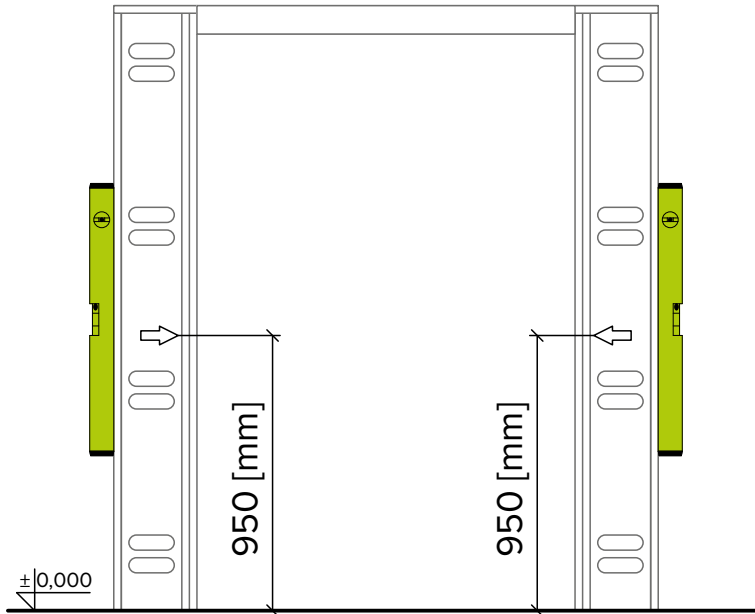
9



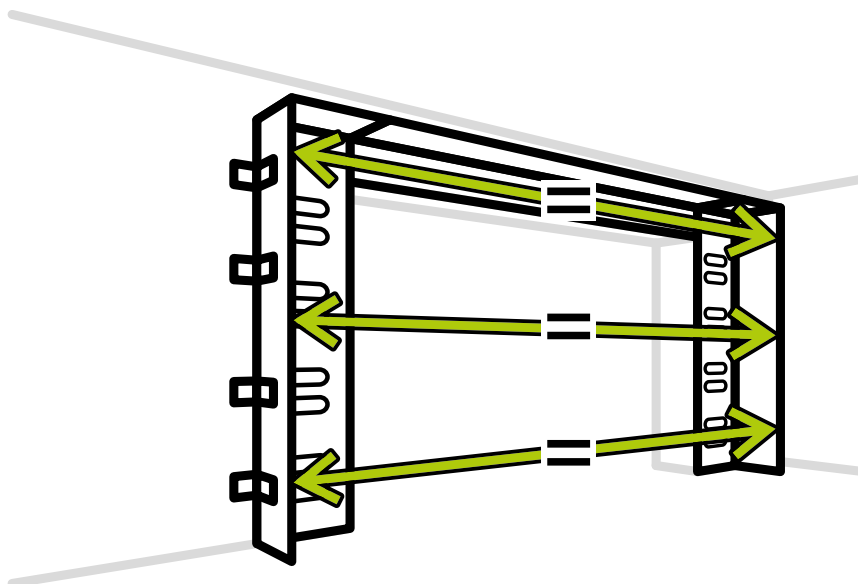
10



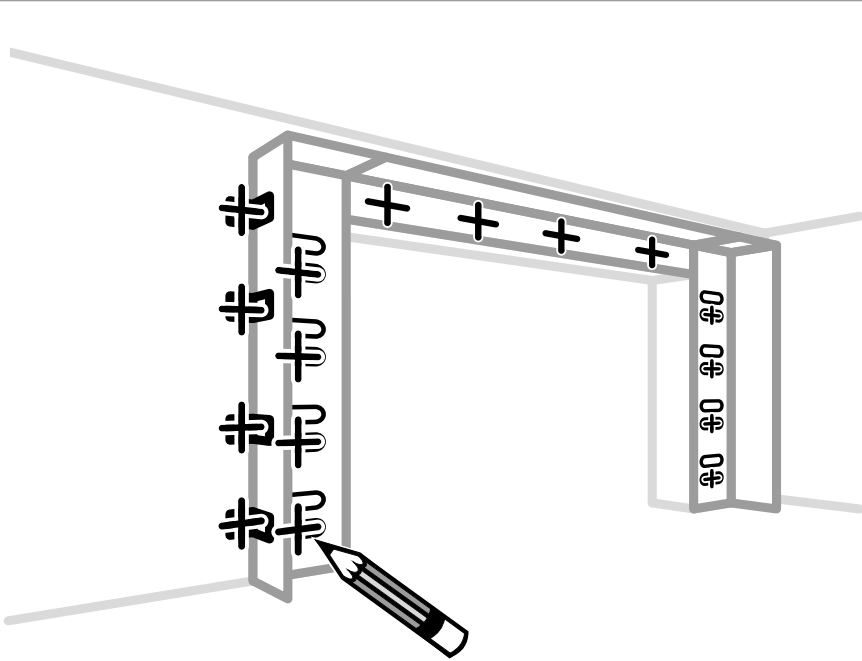
10.1



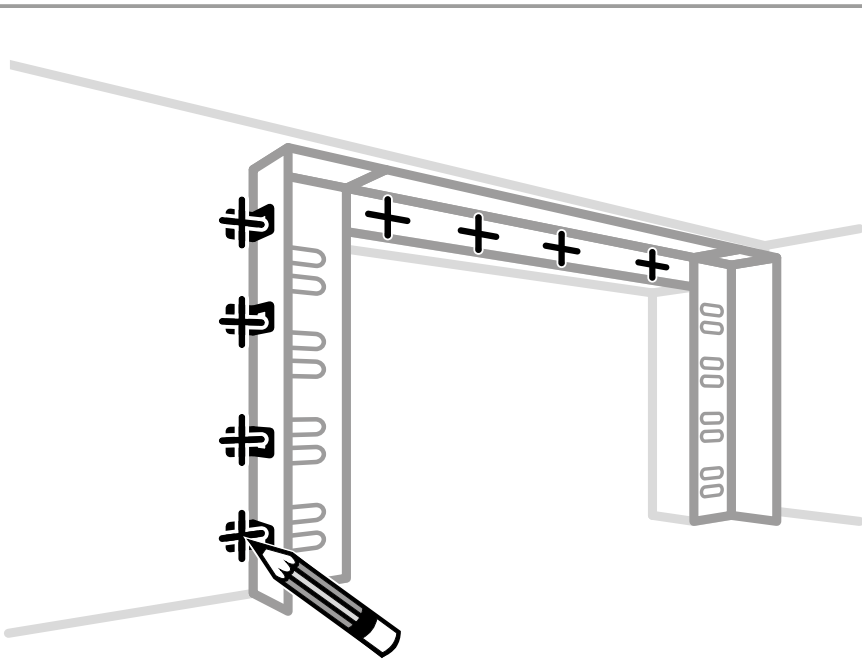
11




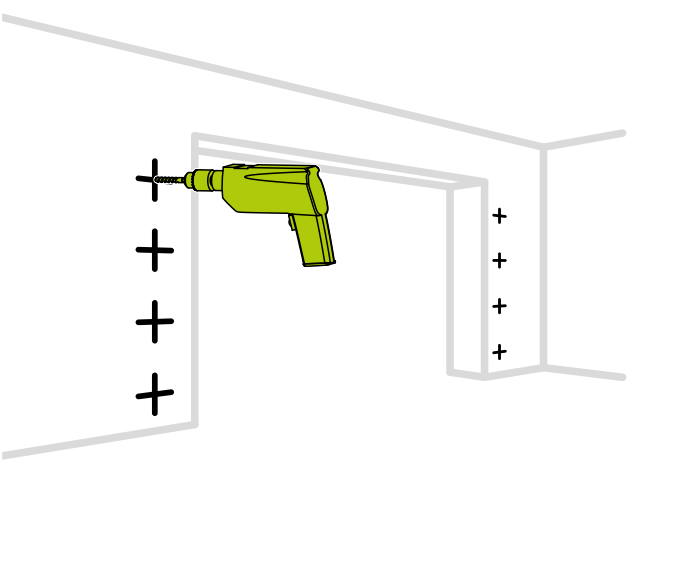
12 v1 5 




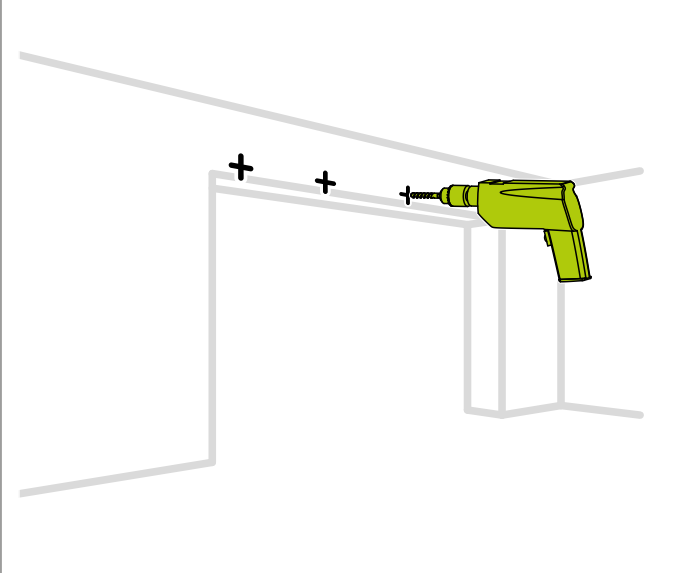
12.1 v2 5.1 



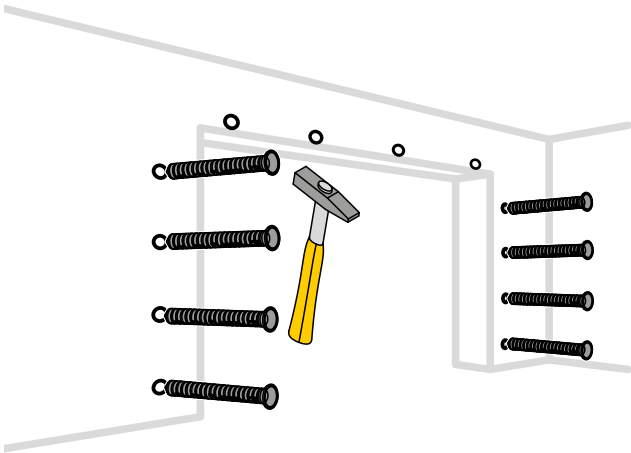
13 



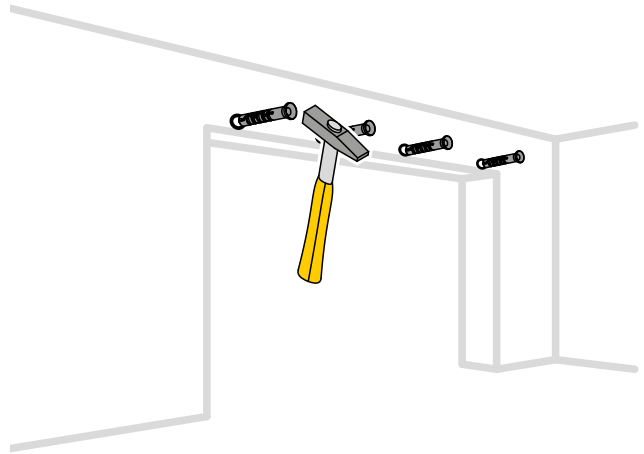
13.1 





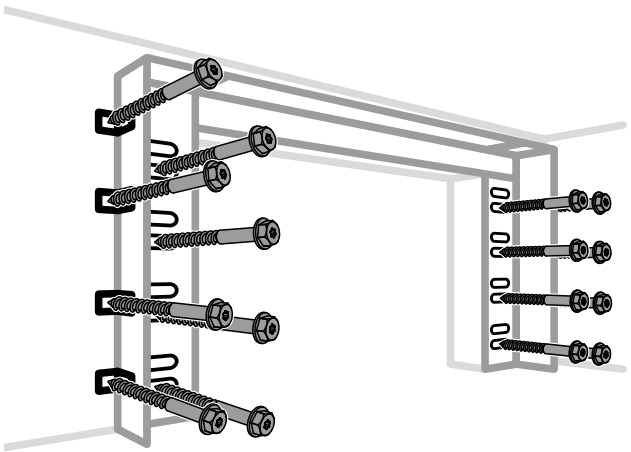
14  10x80





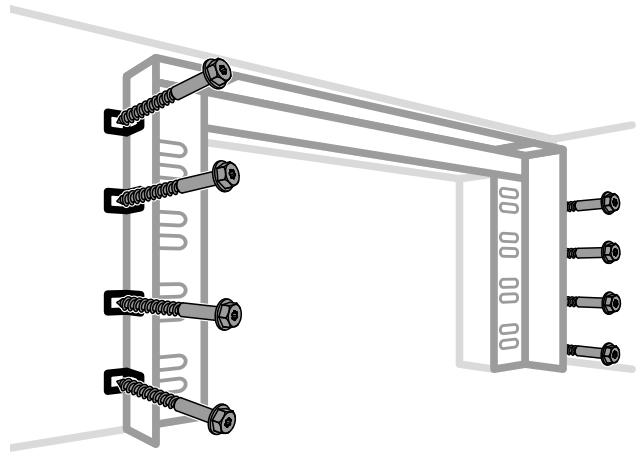
14.1  10x80



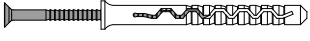


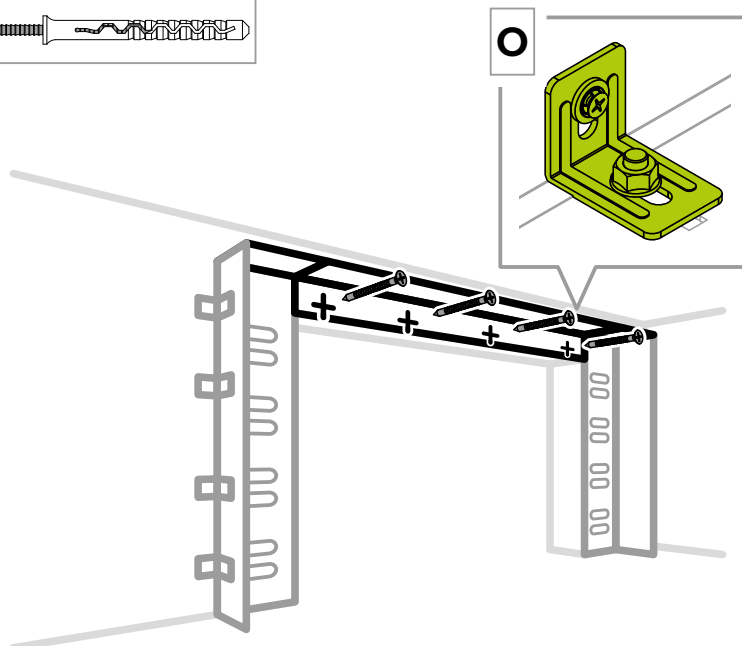
15 **v1**  



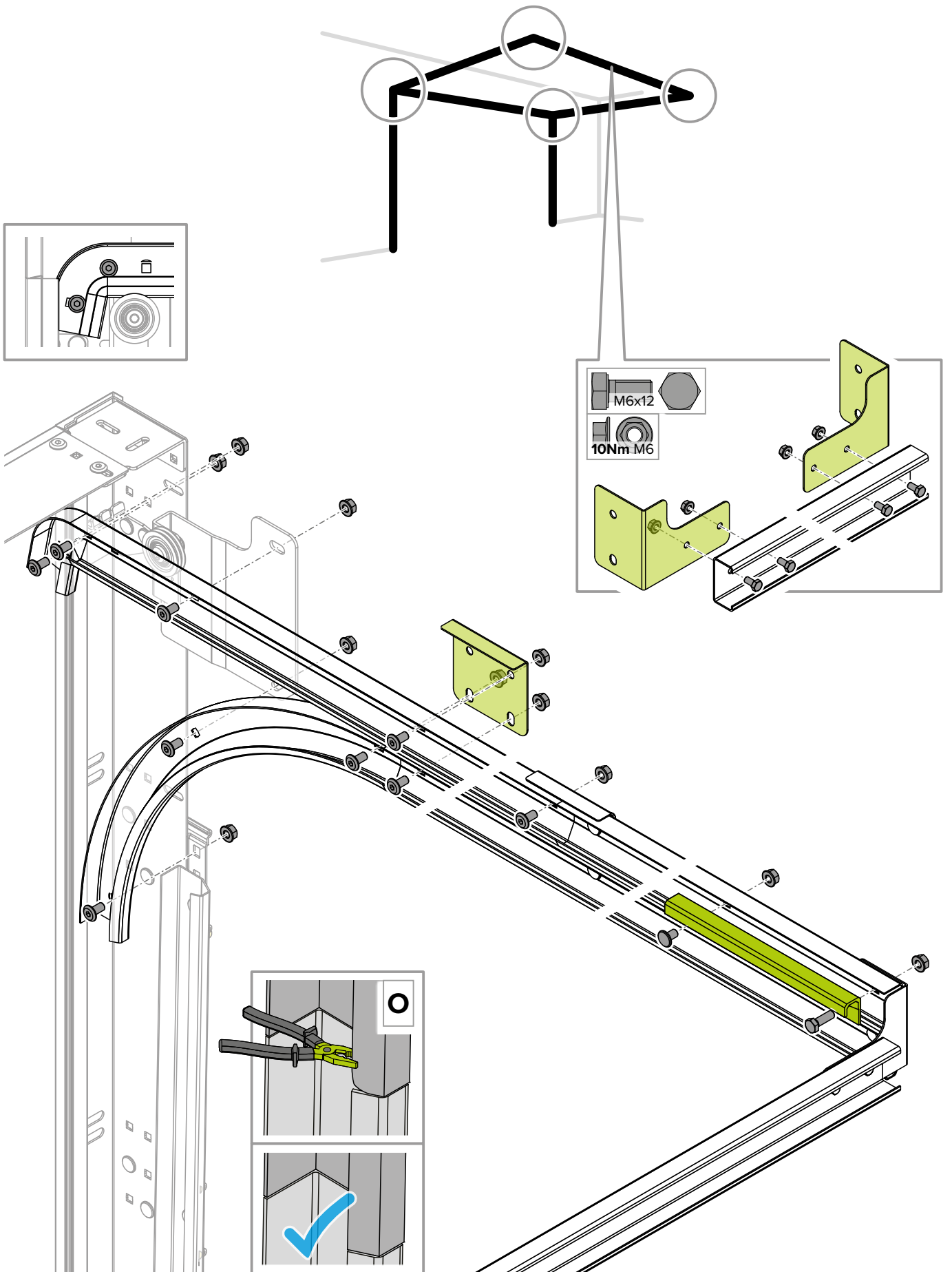
15.1 **v2**  

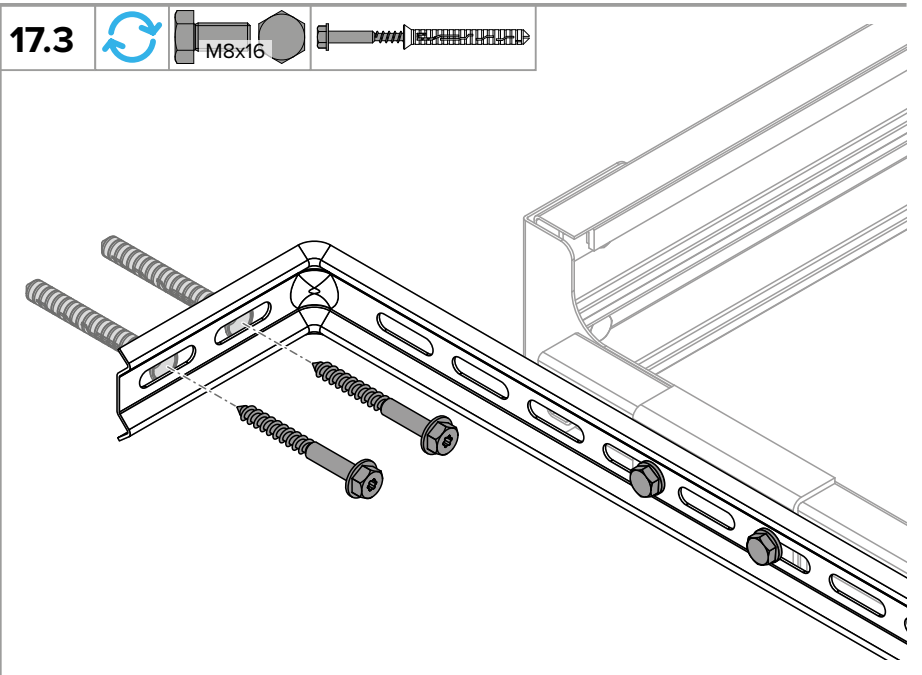
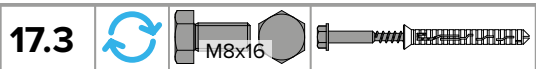
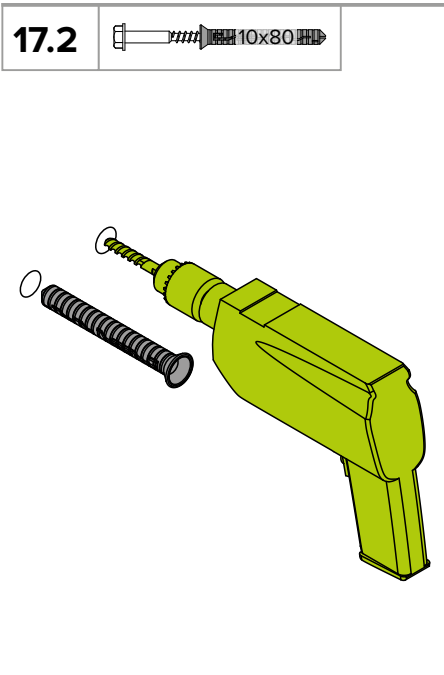
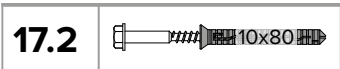
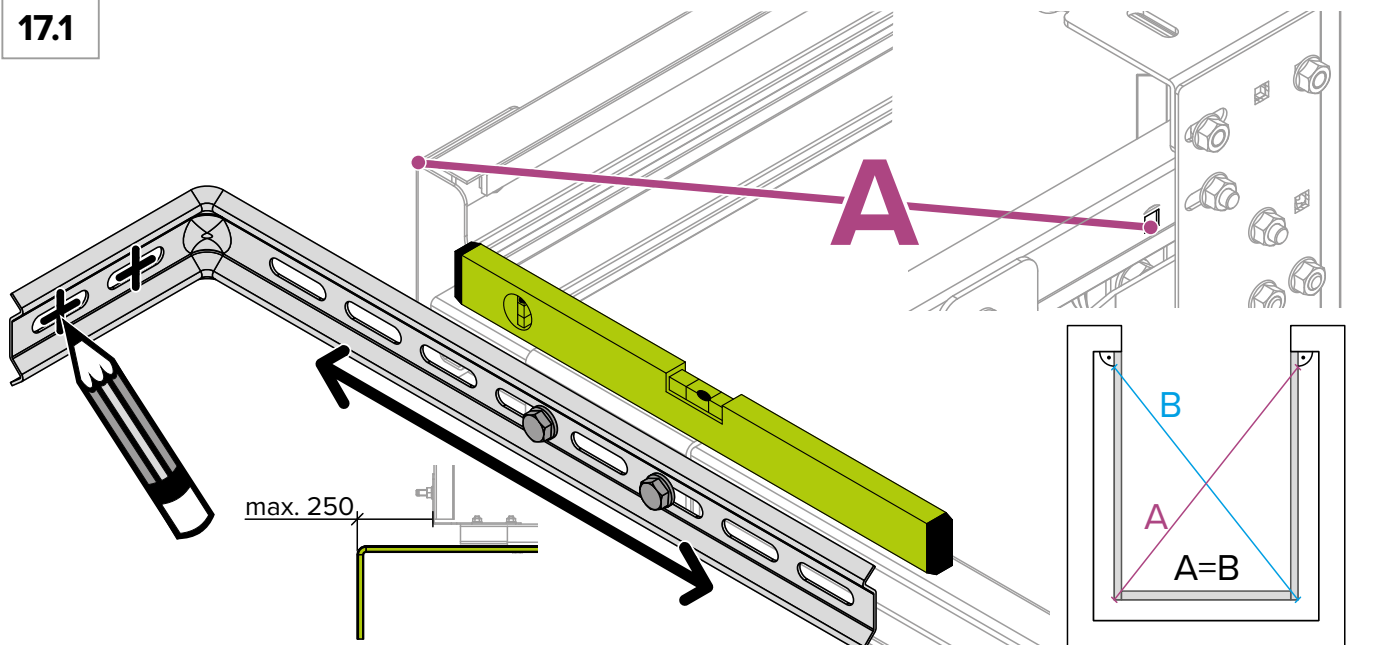
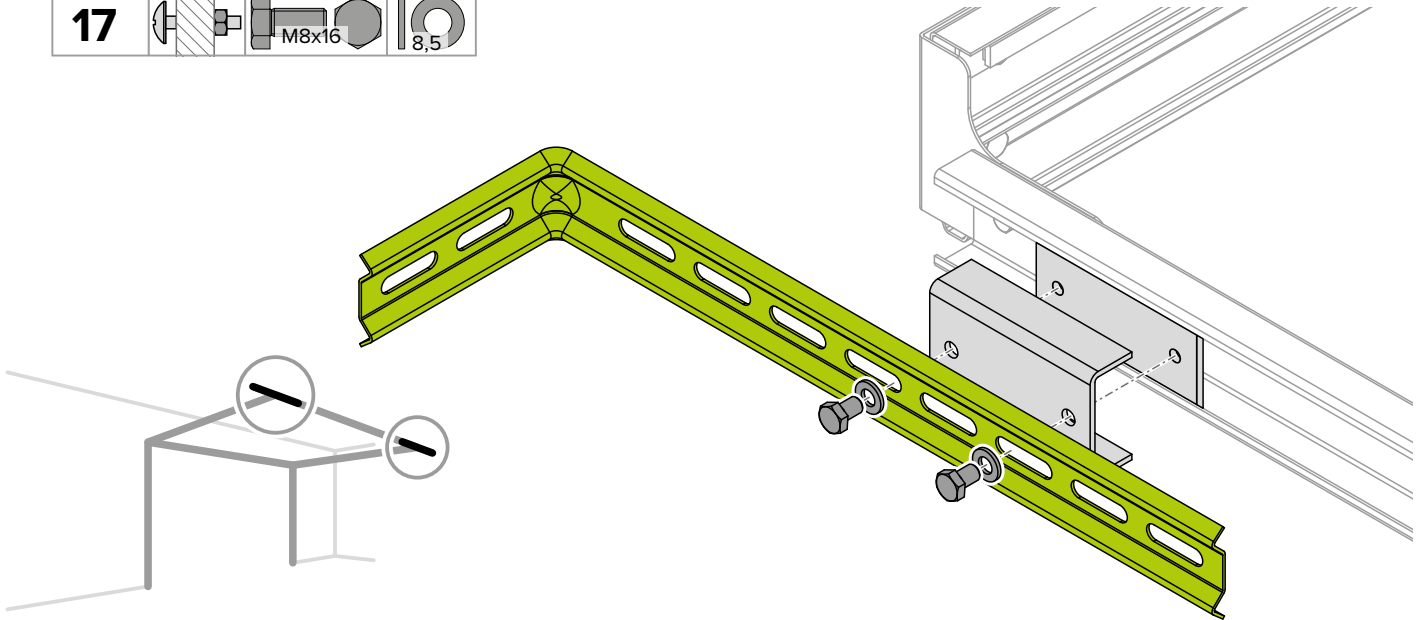
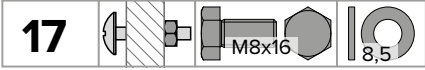


15.2   8.5 



16   15Nm M8  M8x15  M8x16  M8x25 





18 v1 v2
30

18.1





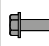
18.2

18.3

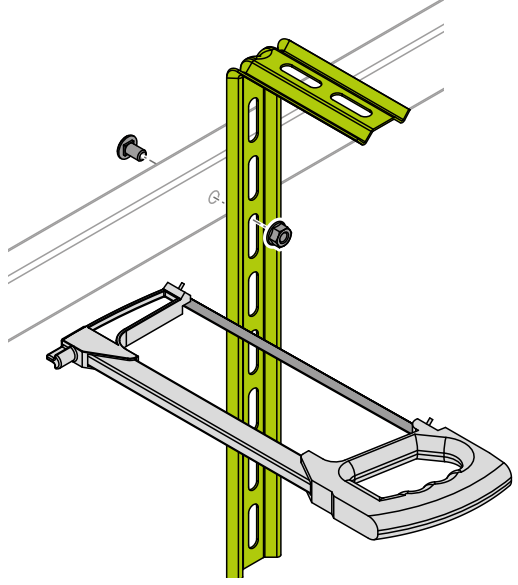
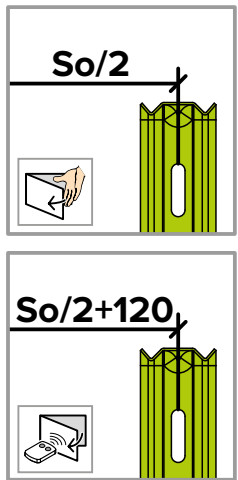
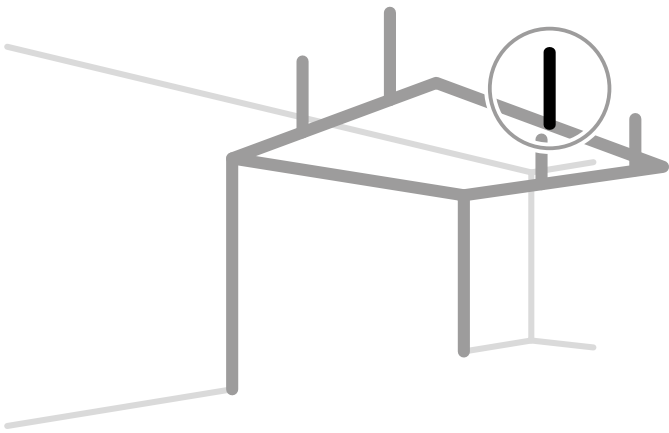
18.4 **18.5**

18.6

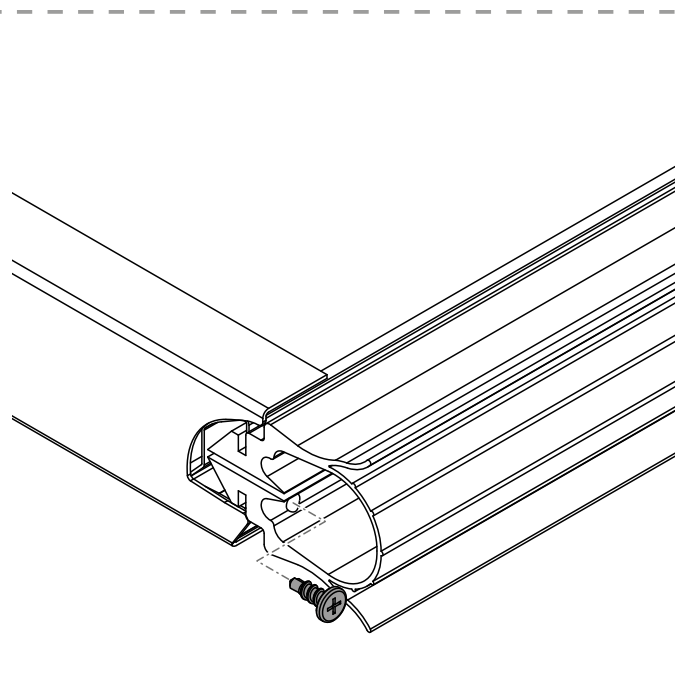
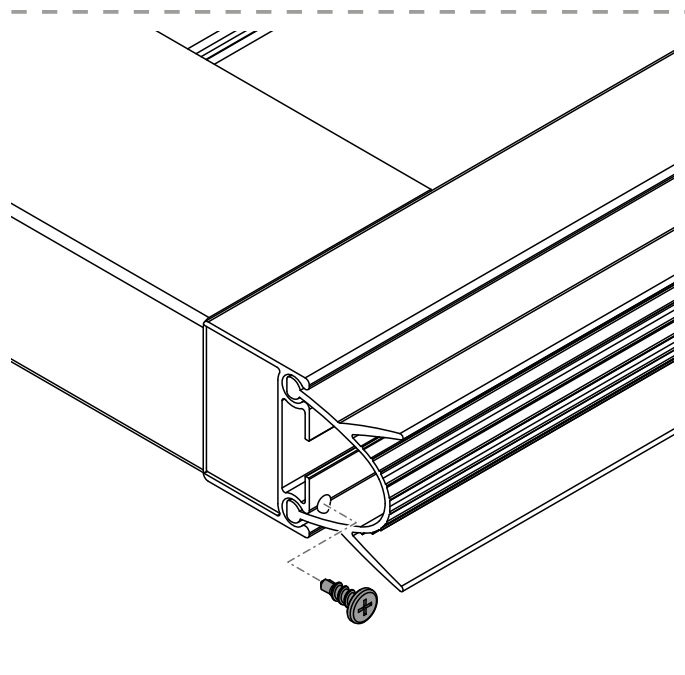
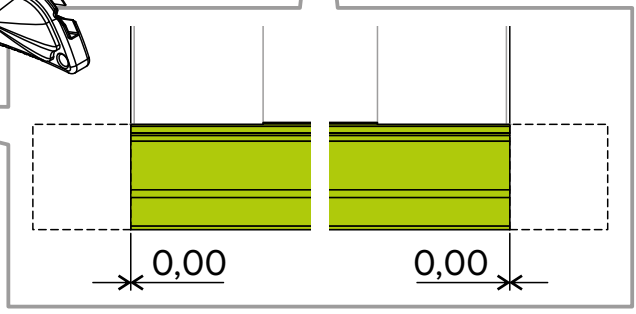
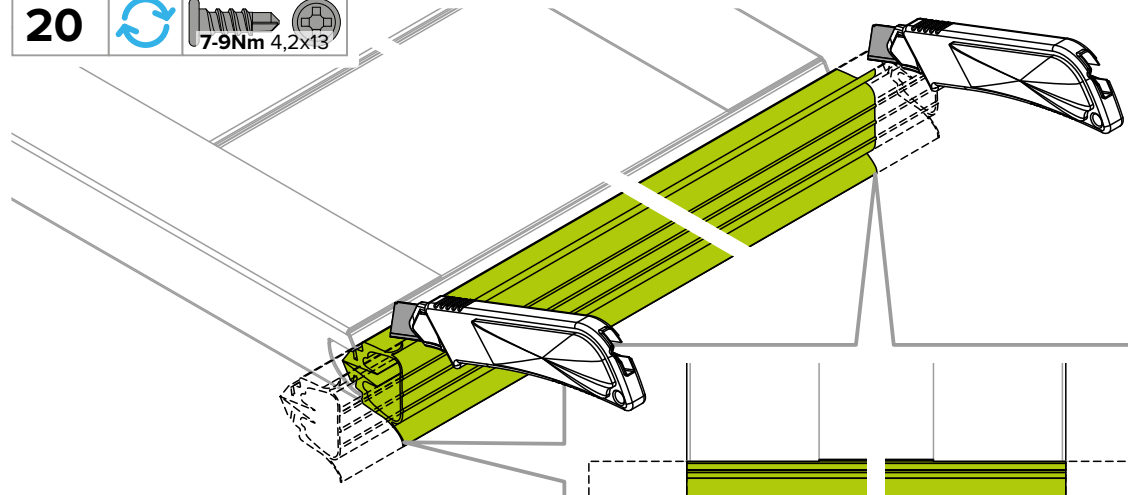
18.7 15Nm M8 M8x15

19   20Nm M8  M8x15   10x80

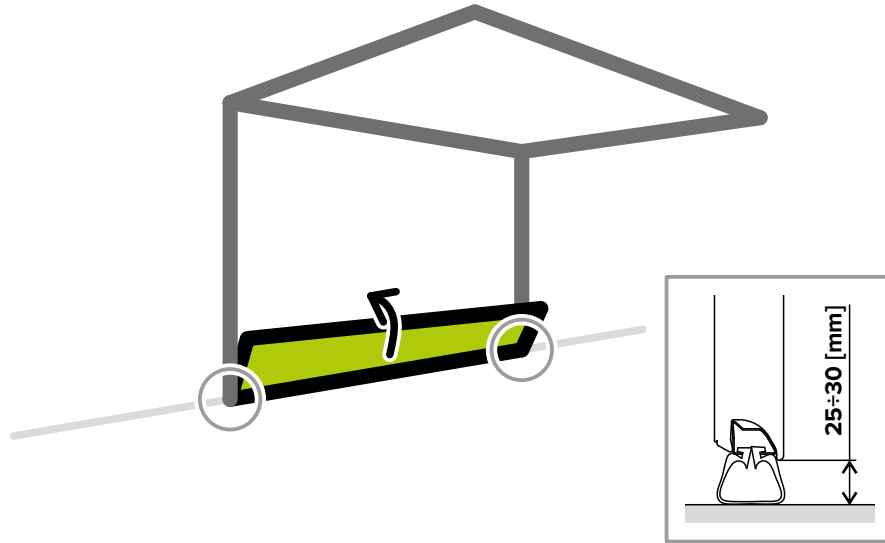
So>4000



20   7-9Nm 4,2x13 

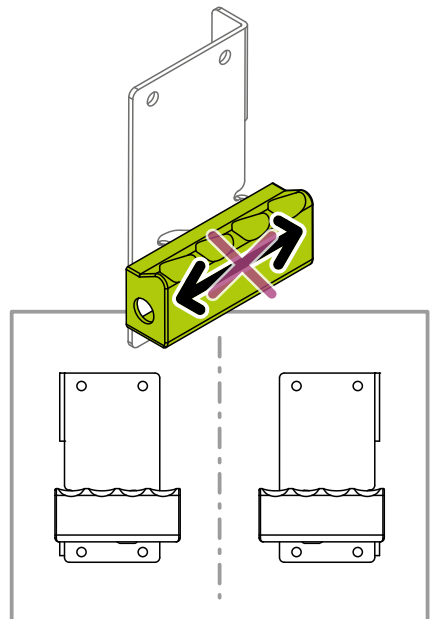
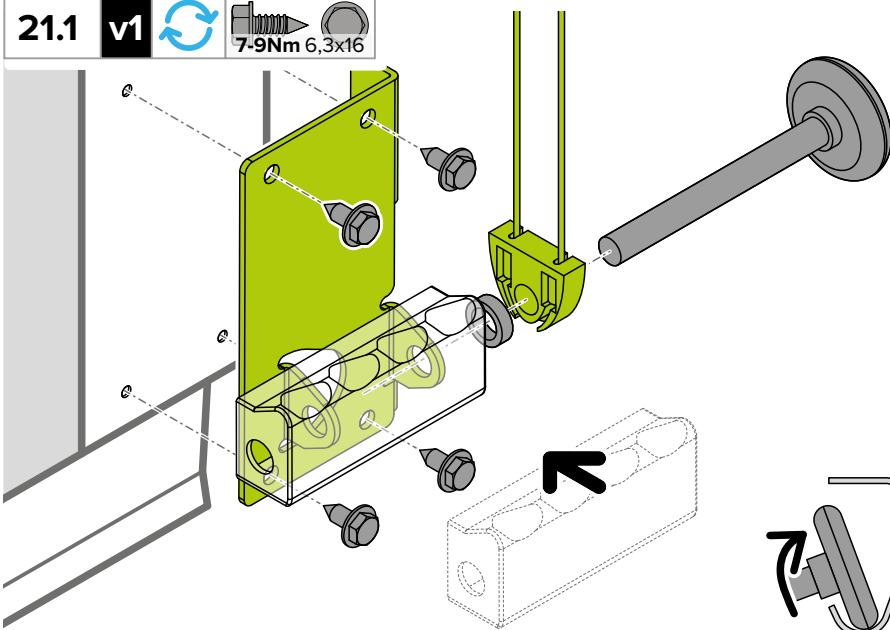


21



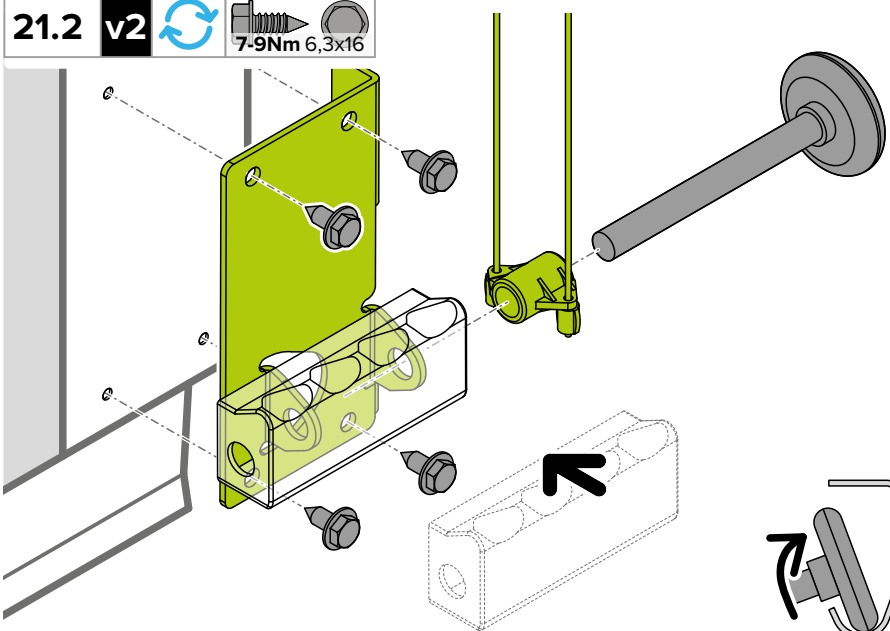
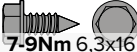
21.1

v1

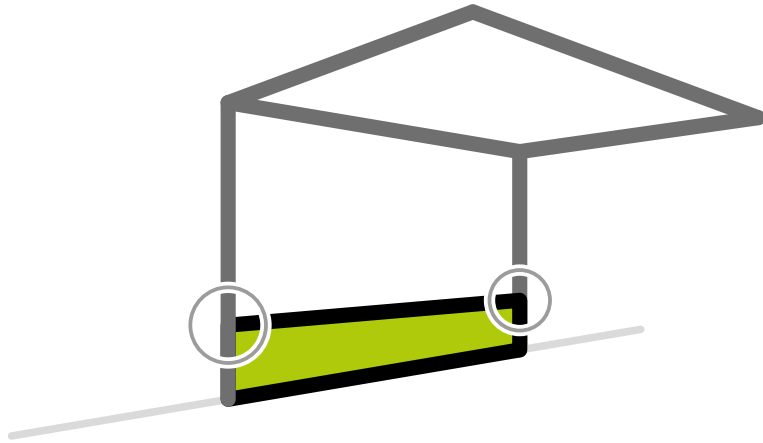


21.2

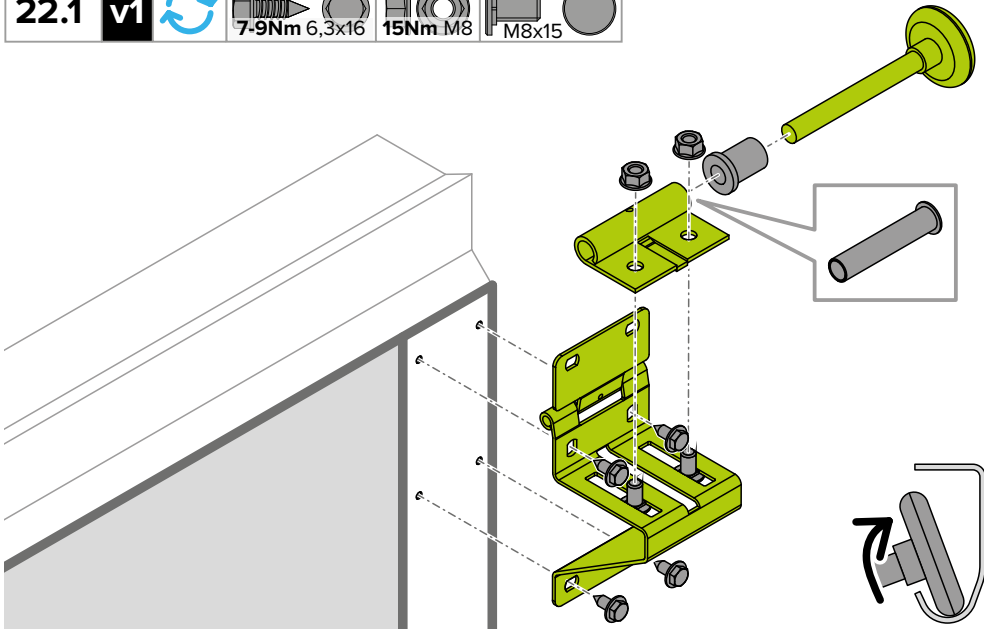
v2



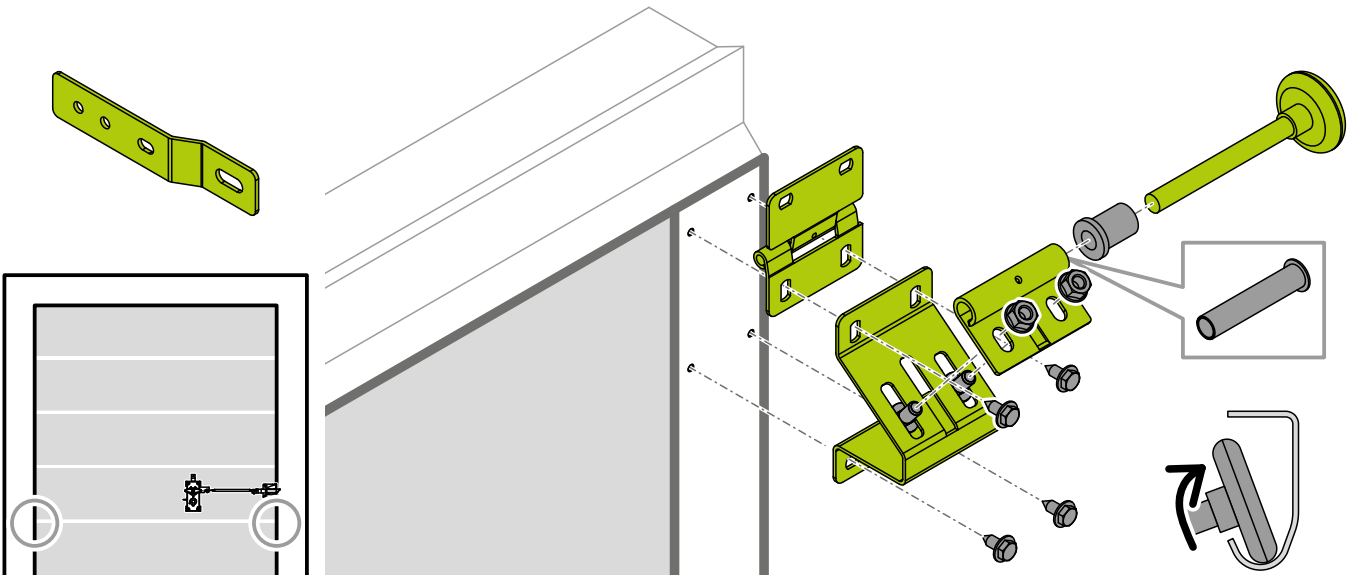
22



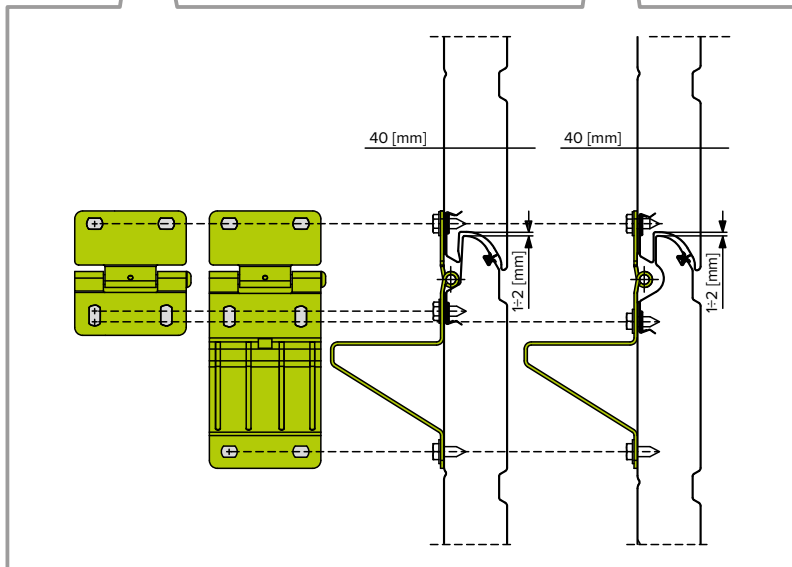
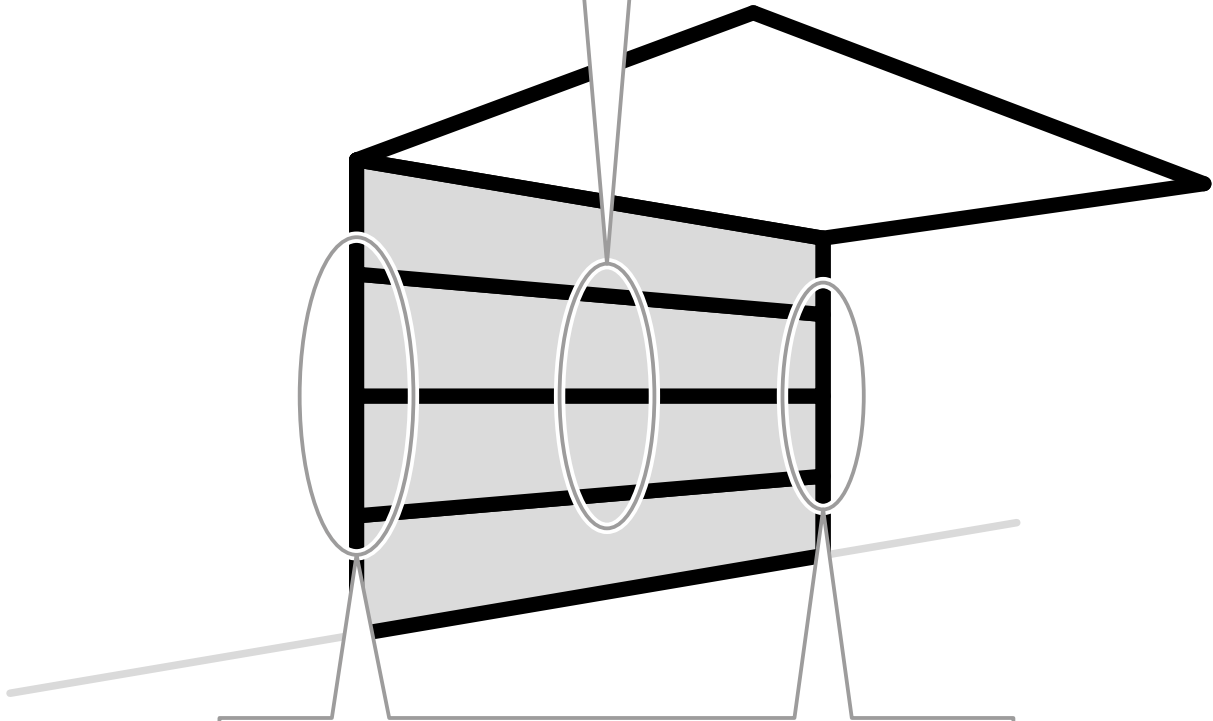
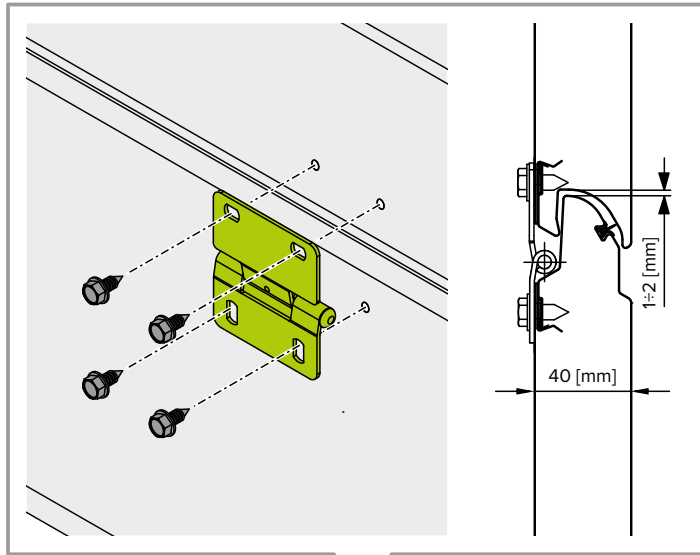
22.1 v1



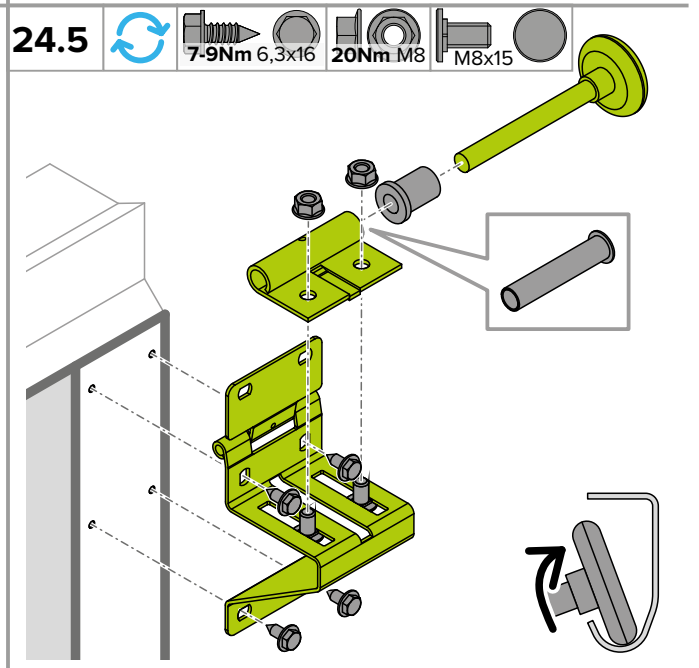
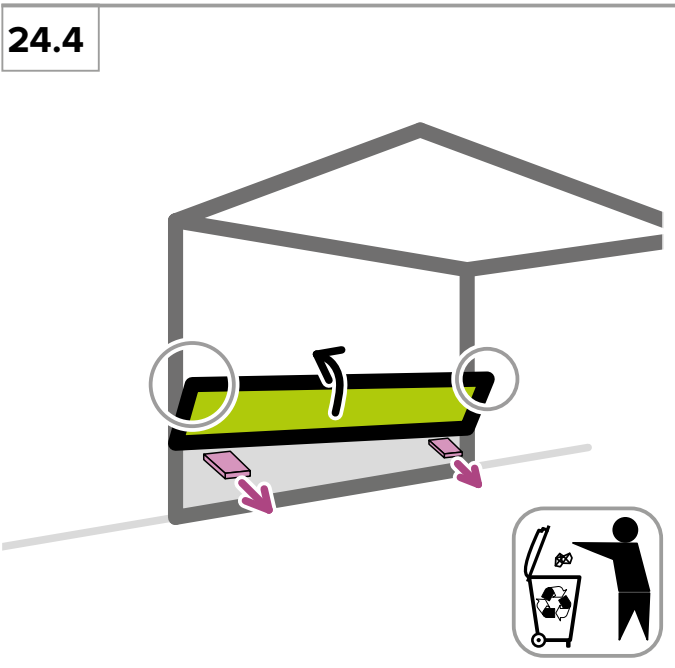
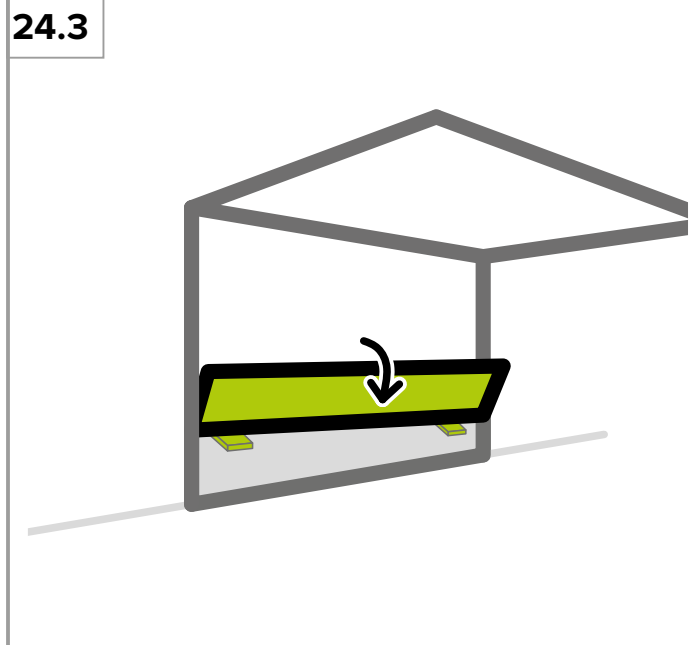
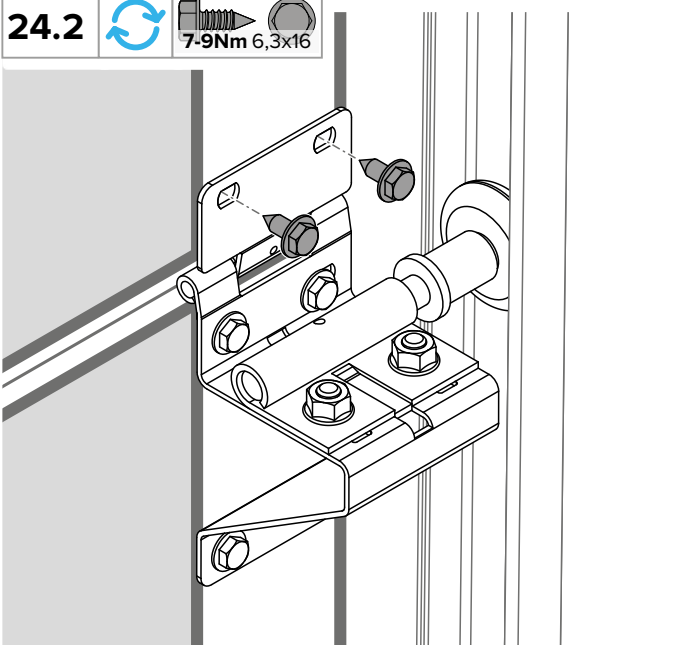
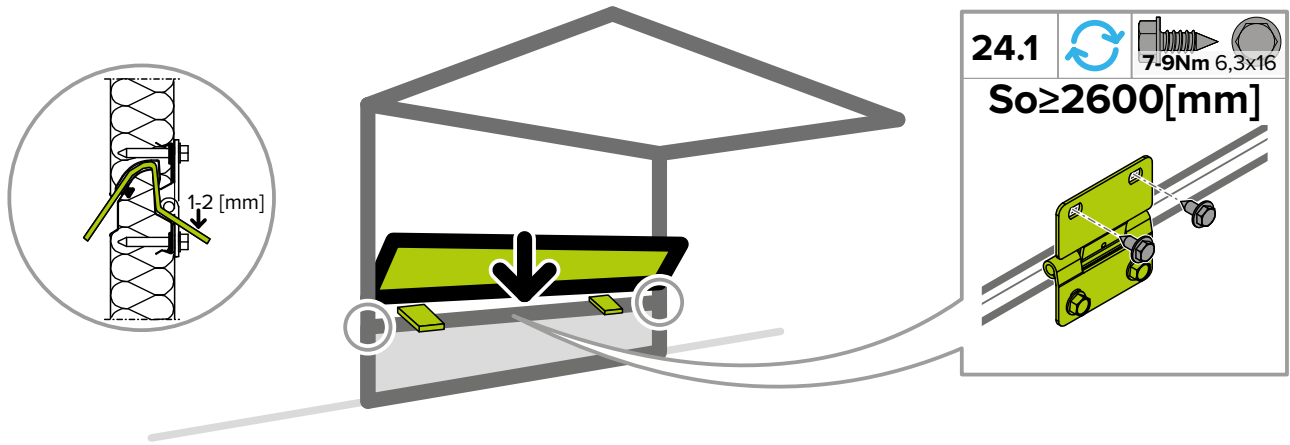
22.2 v2



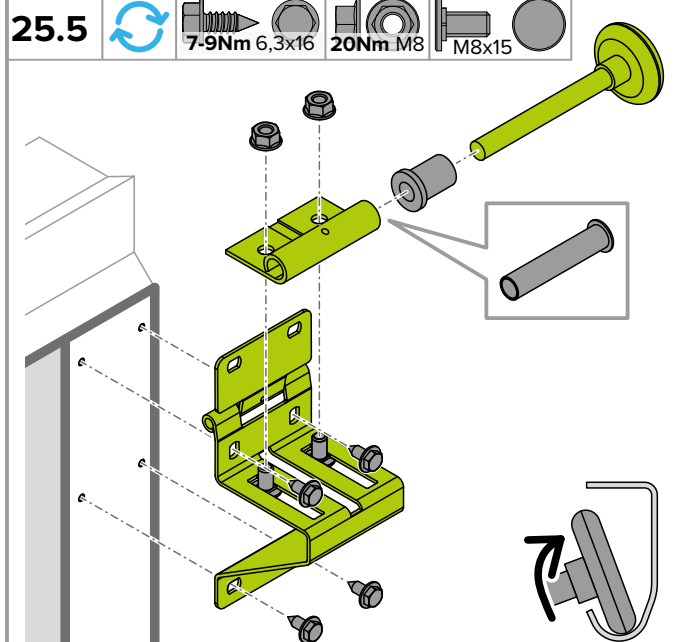
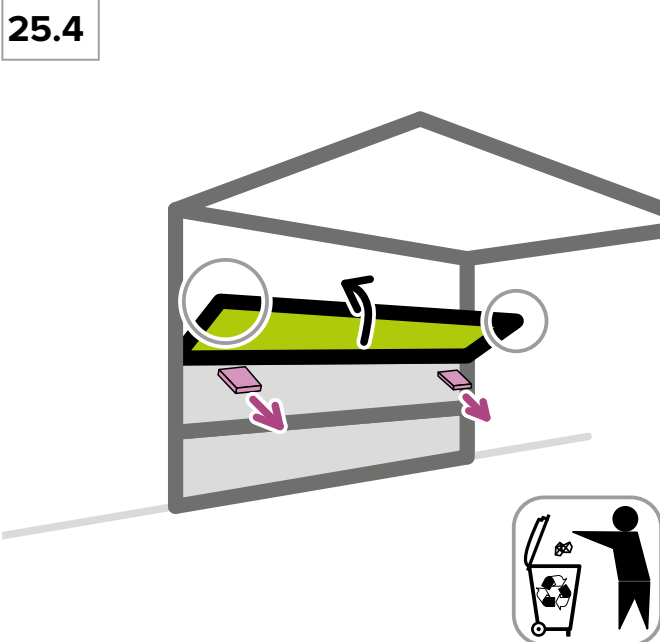
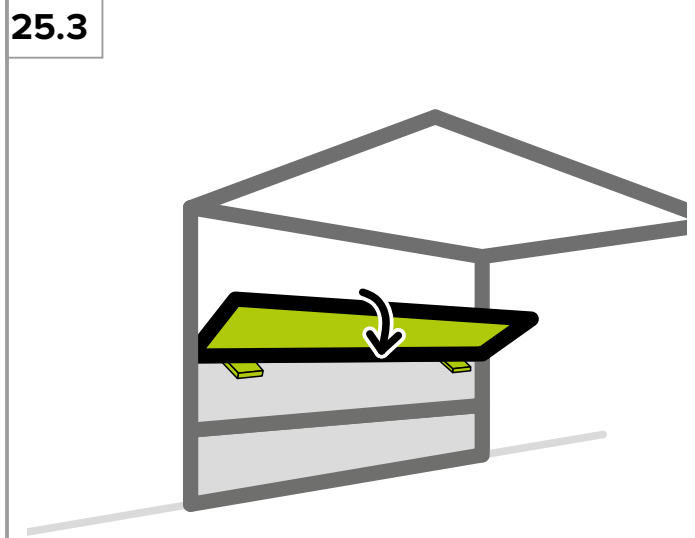
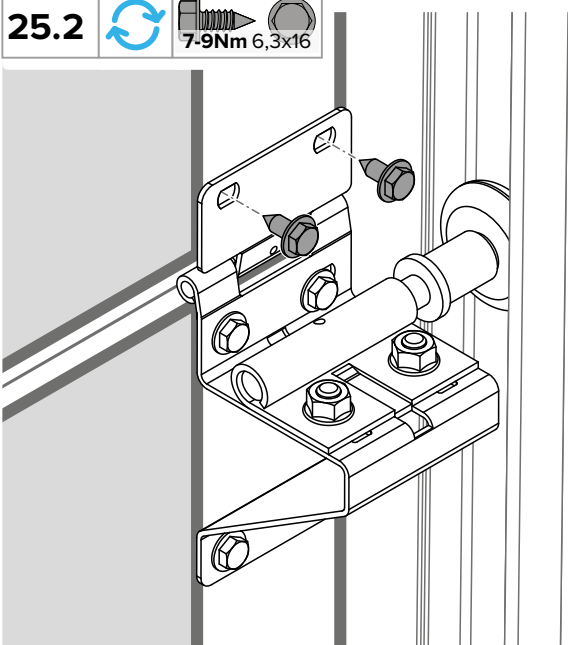
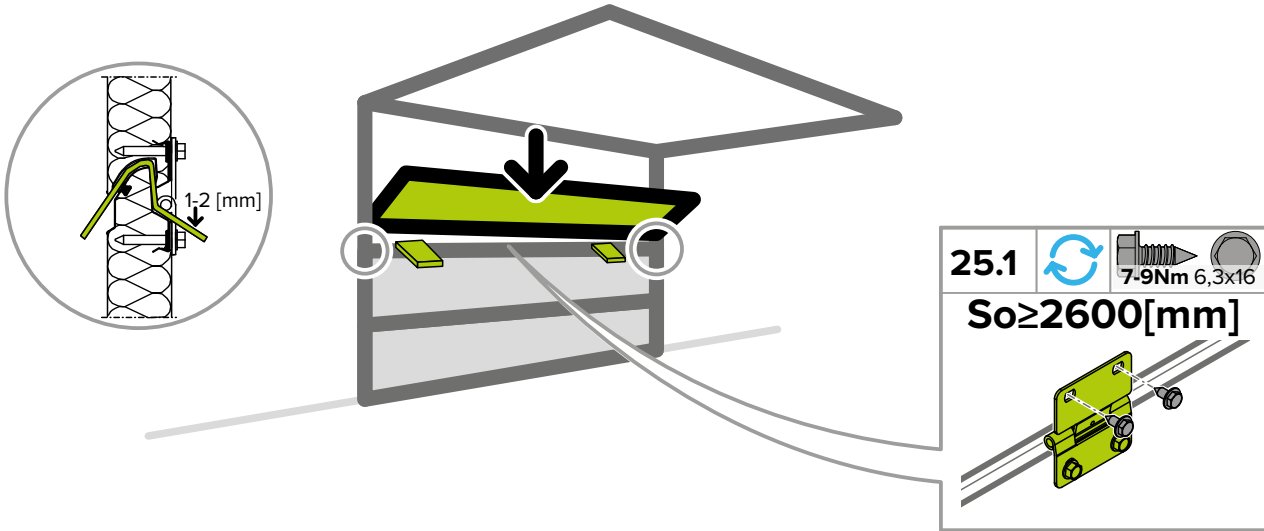
23



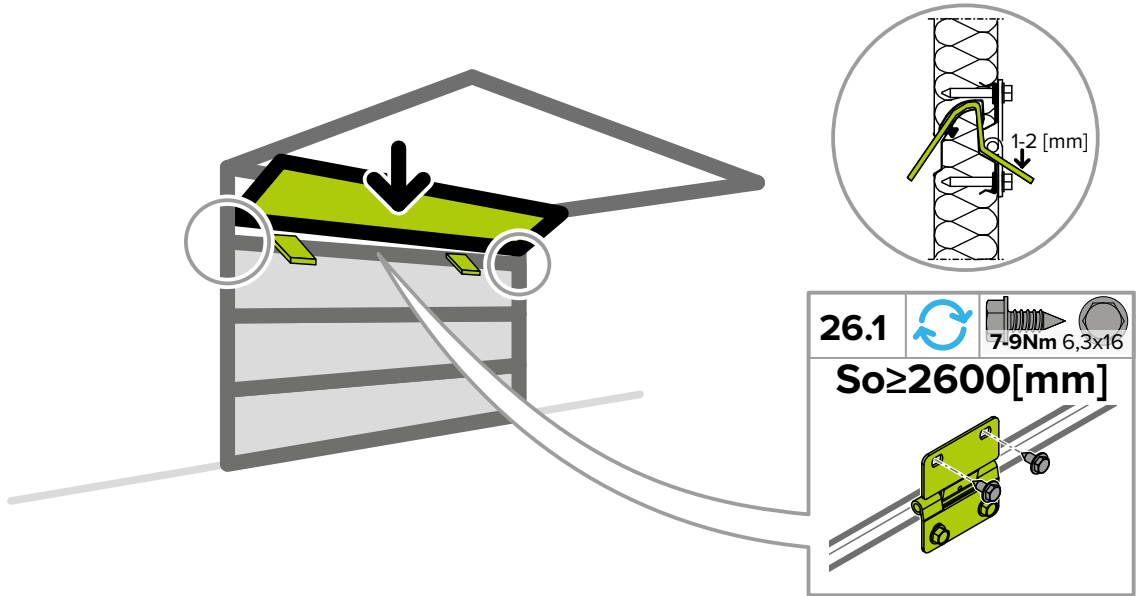
24



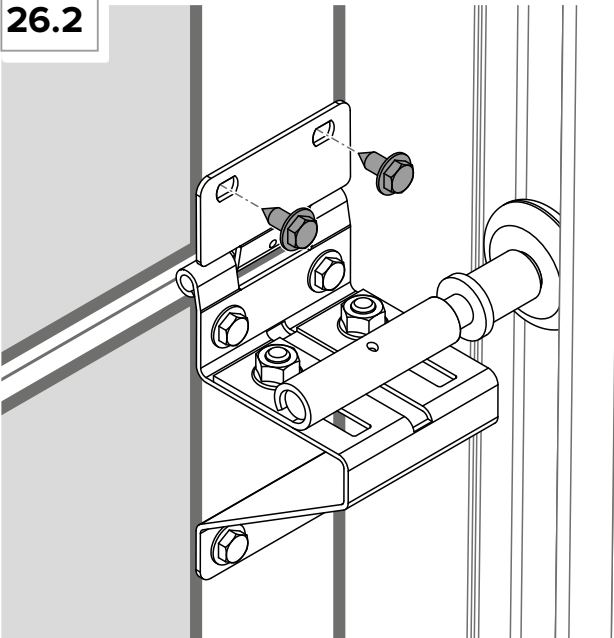
25



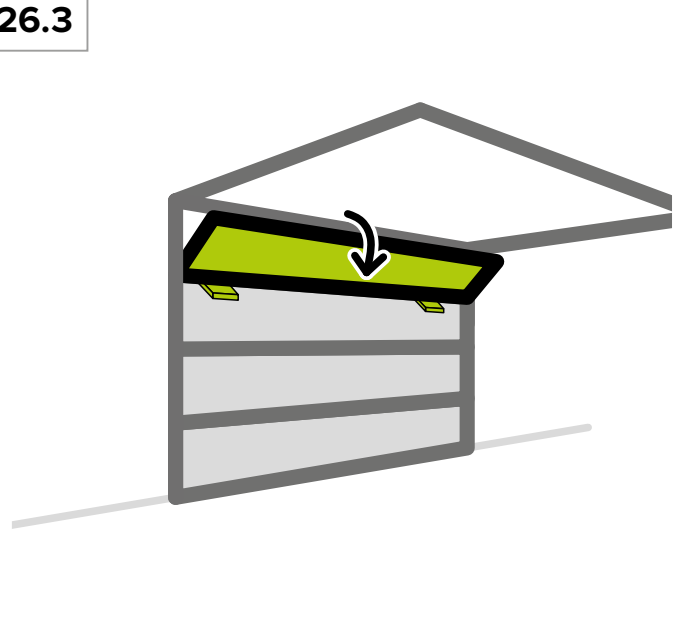
26



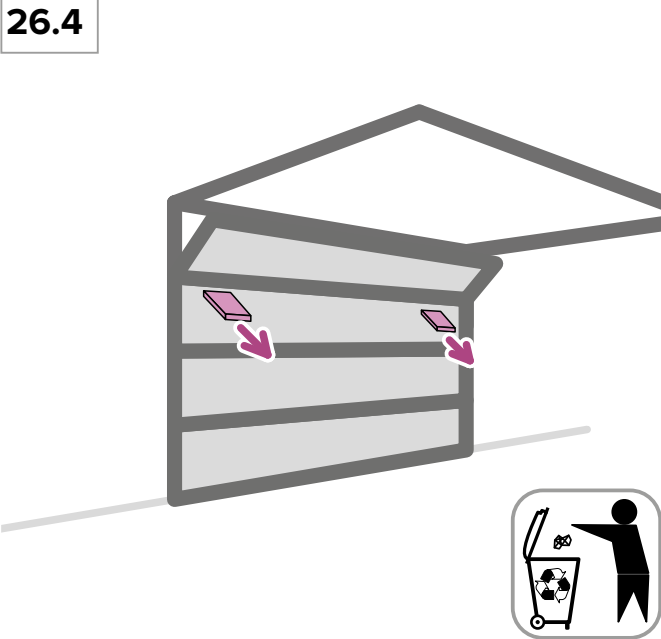
26.2



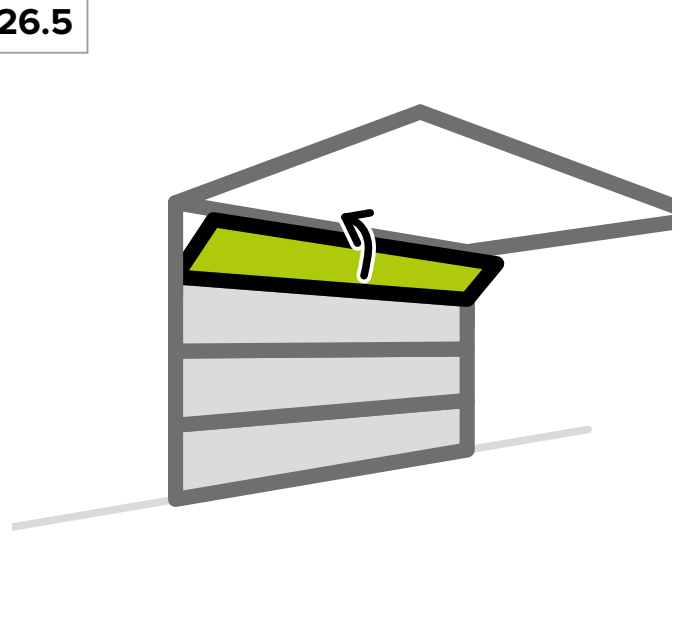
26.3



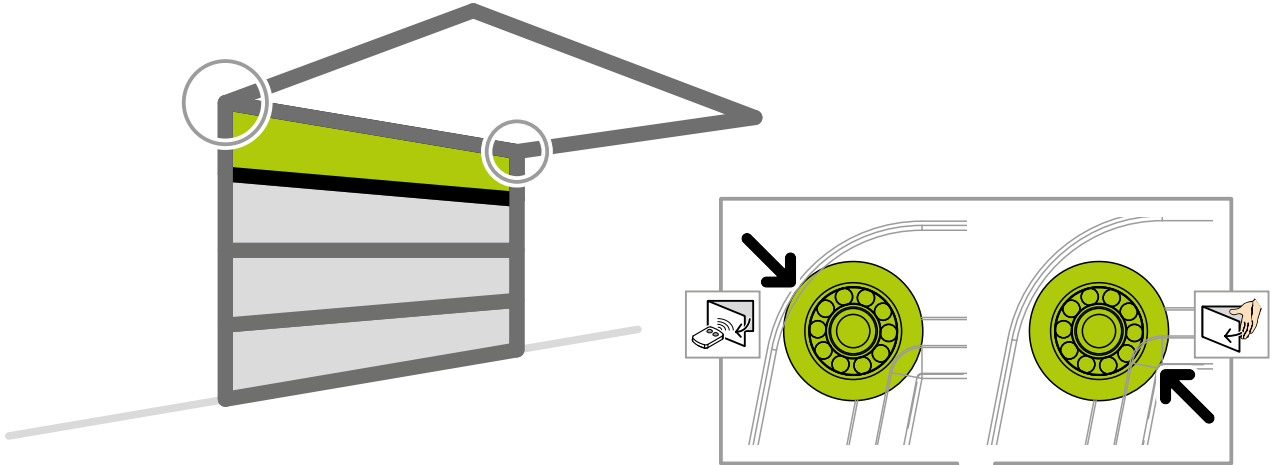
26.4



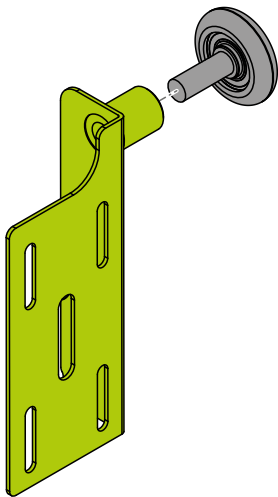
26.5



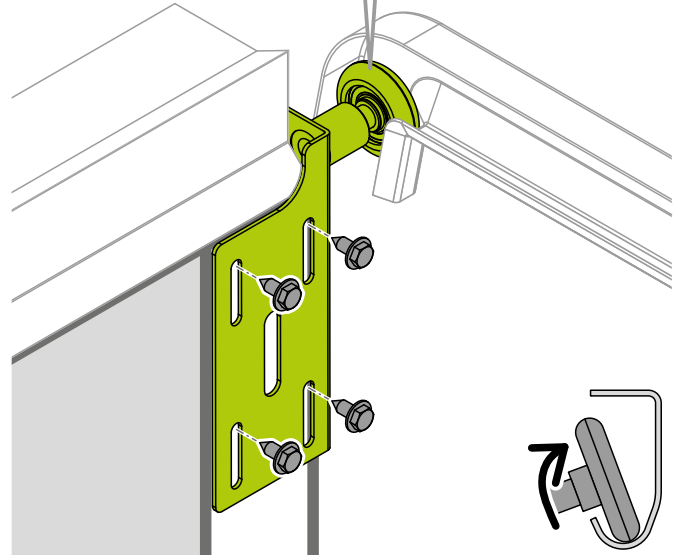
27



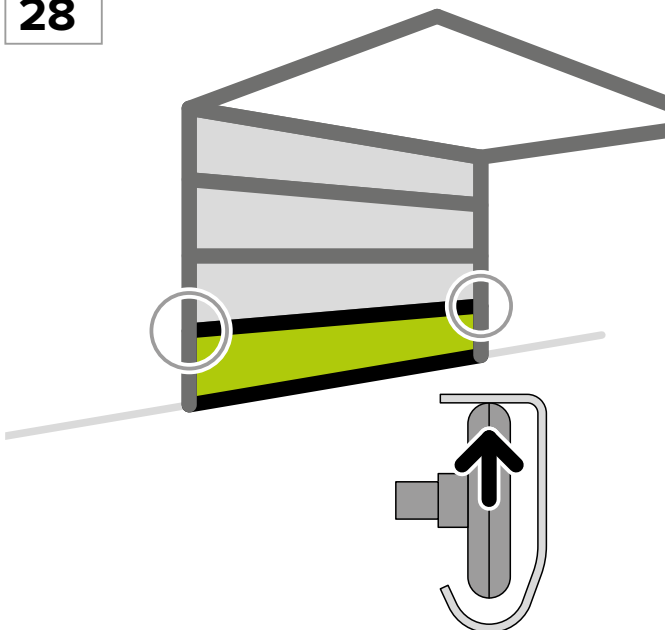
27.1



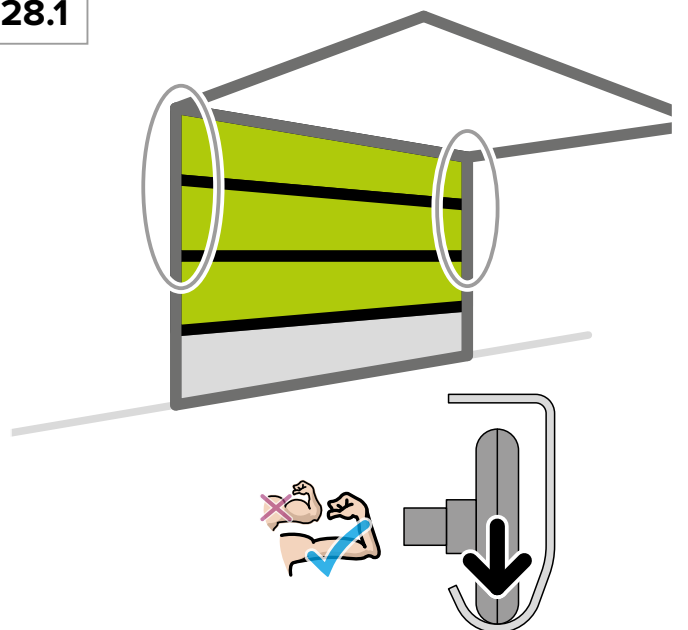
27.2

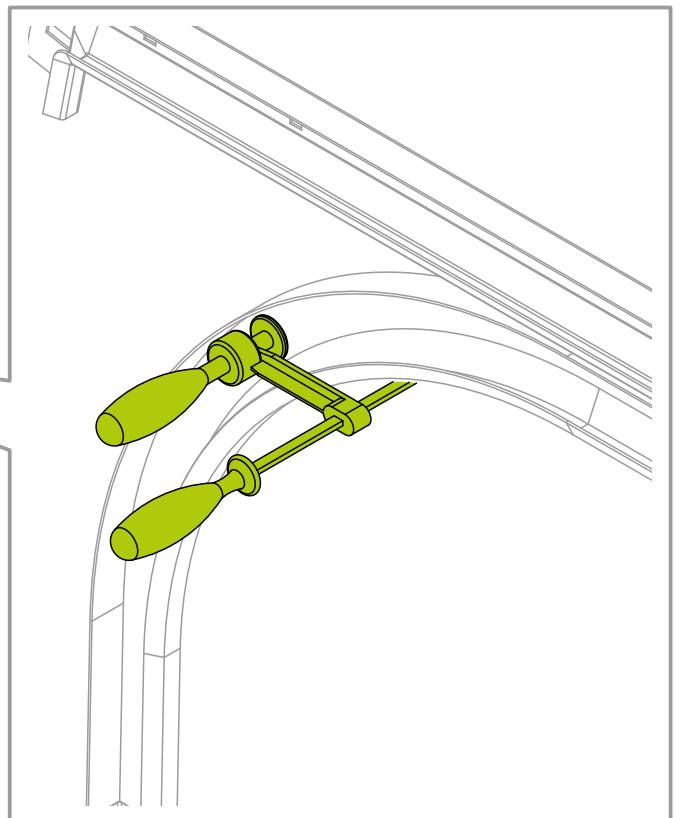
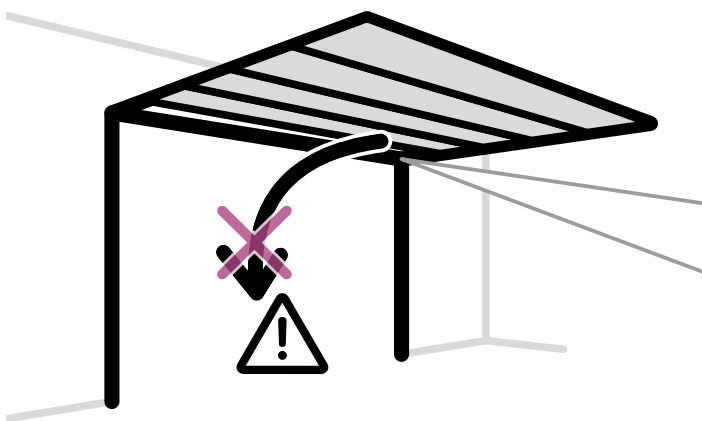
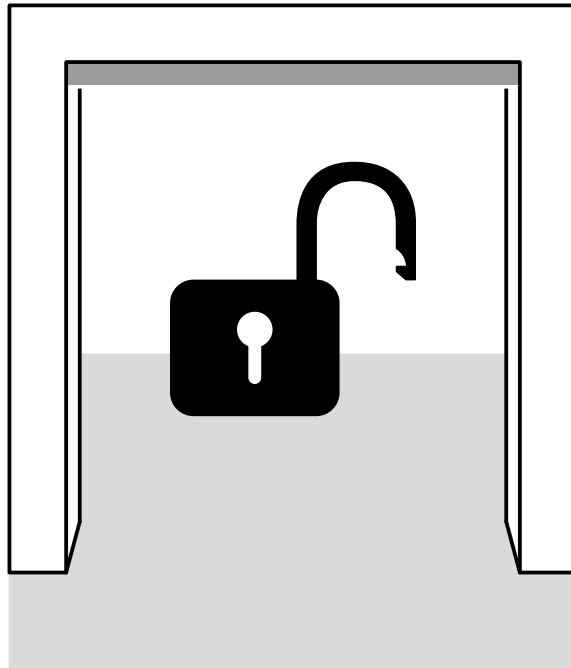


28

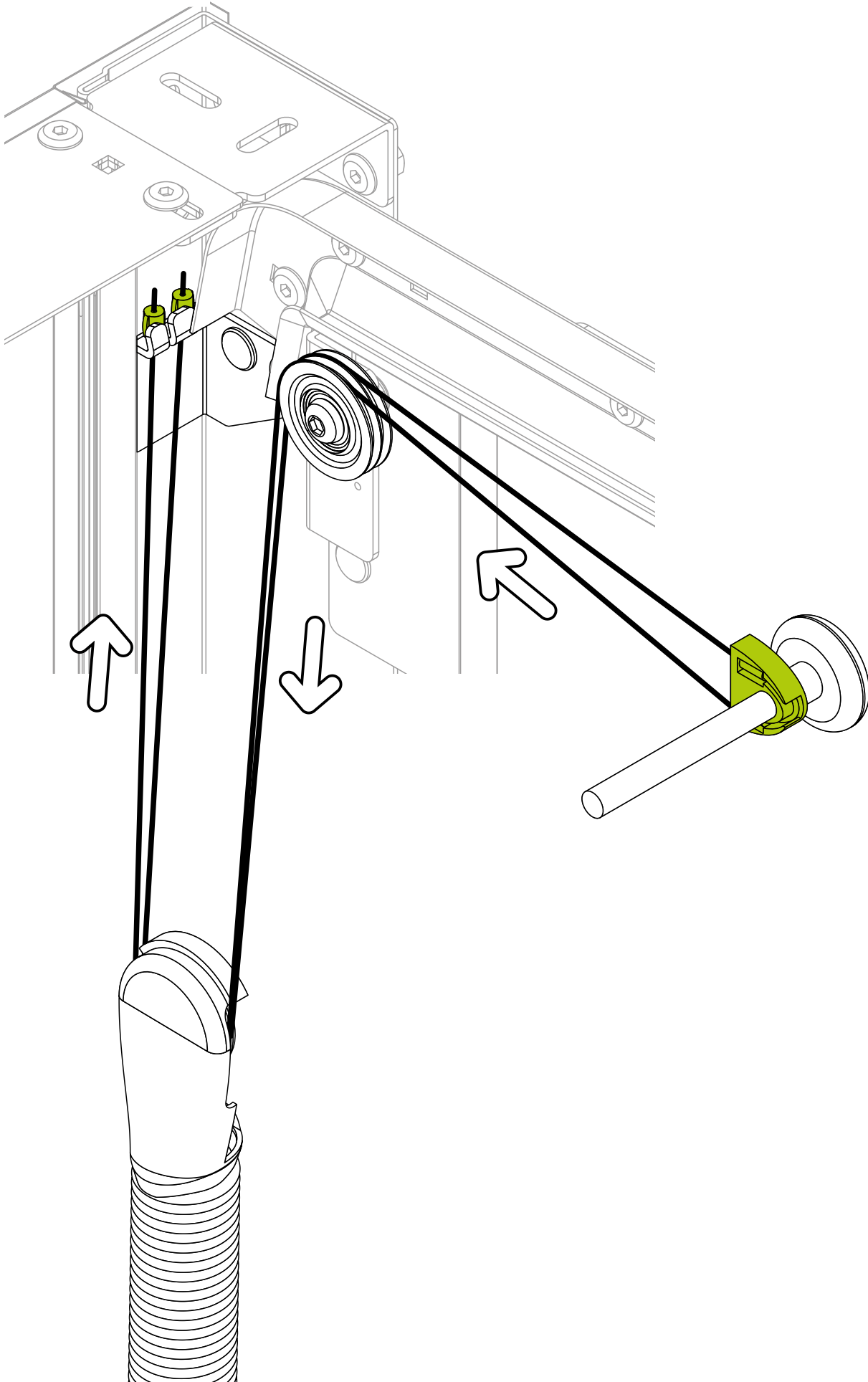


28.1

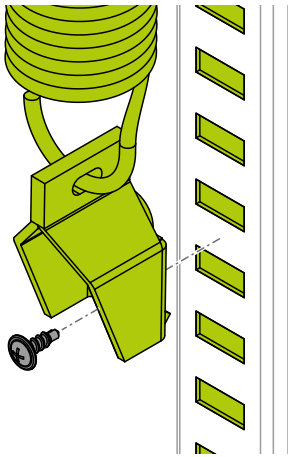
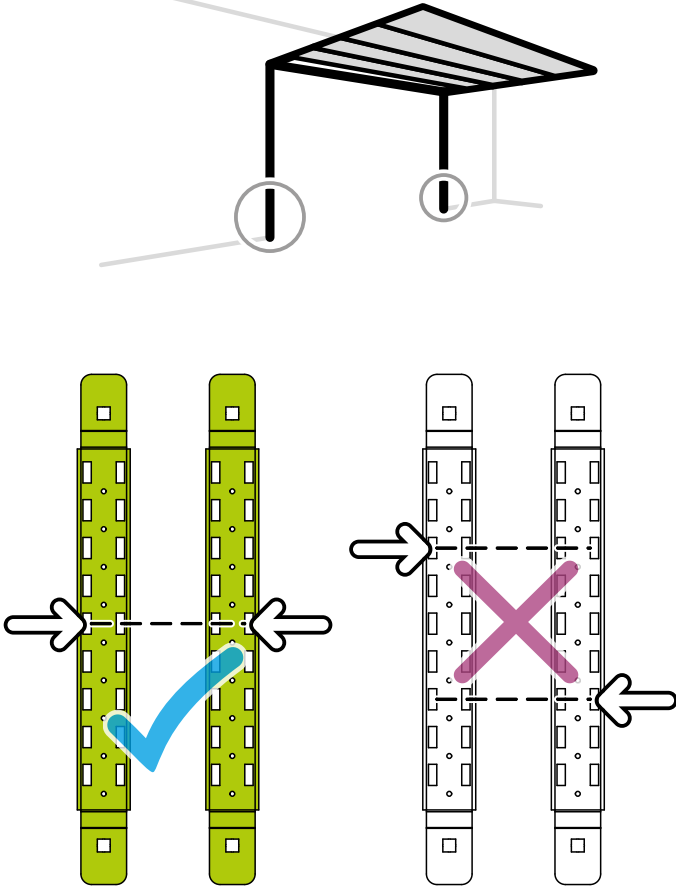




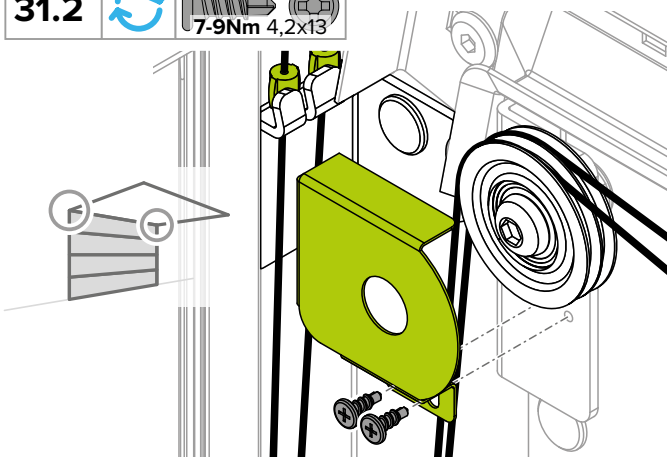
30



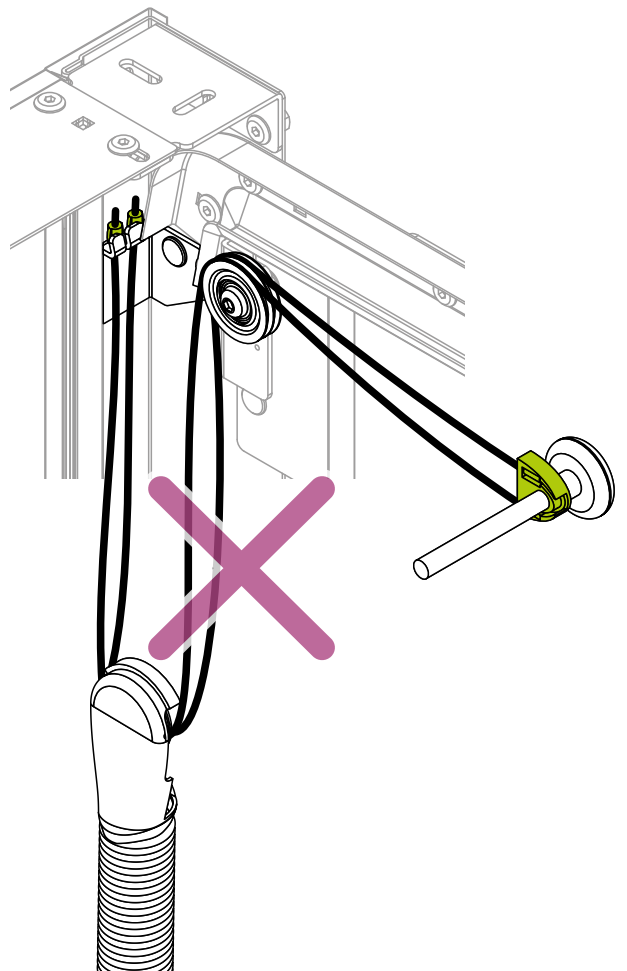
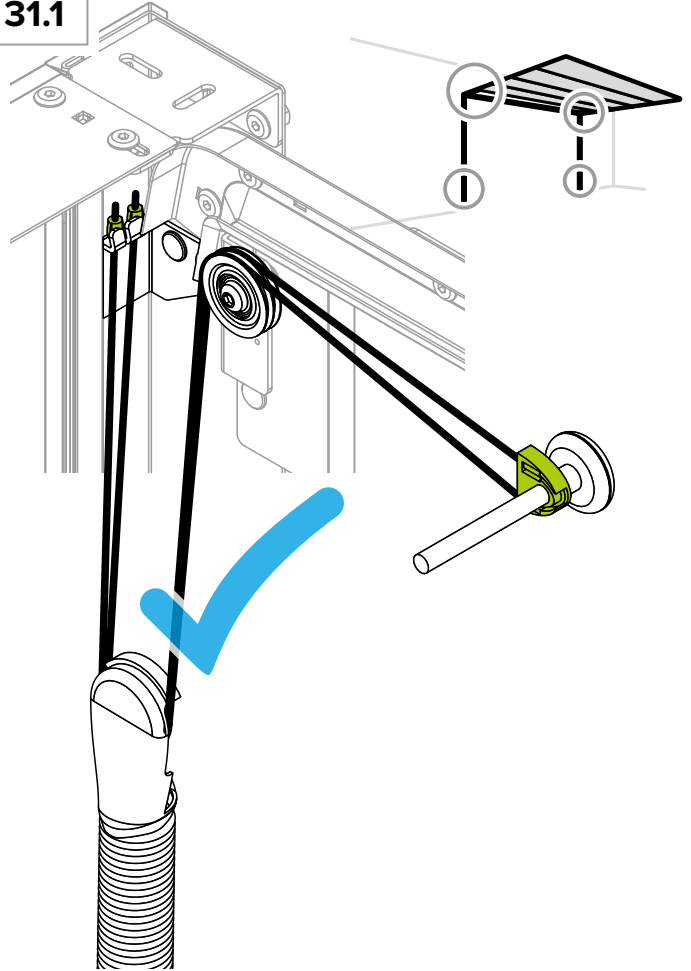
31   7-9Nm 4,2x13



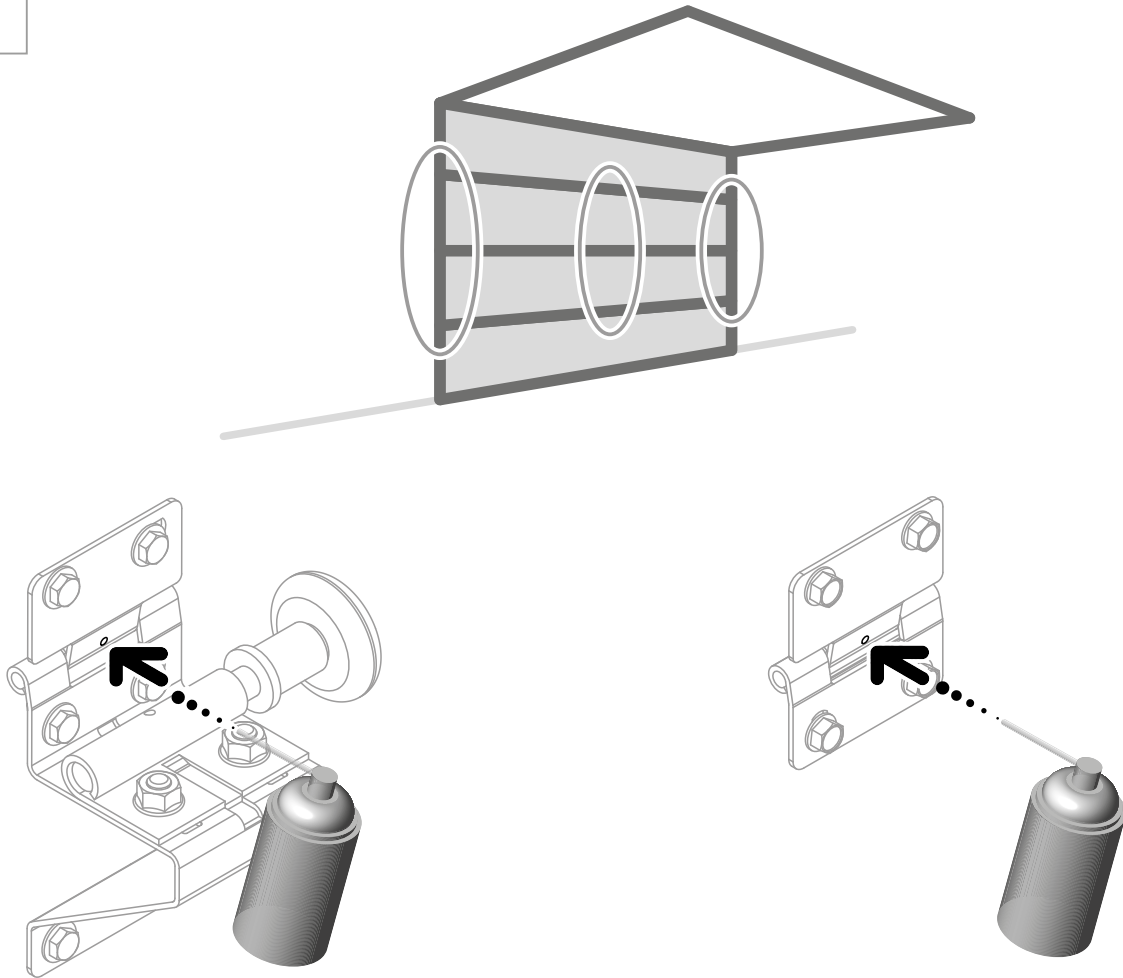
31.2   7-9Nm 4,2x13



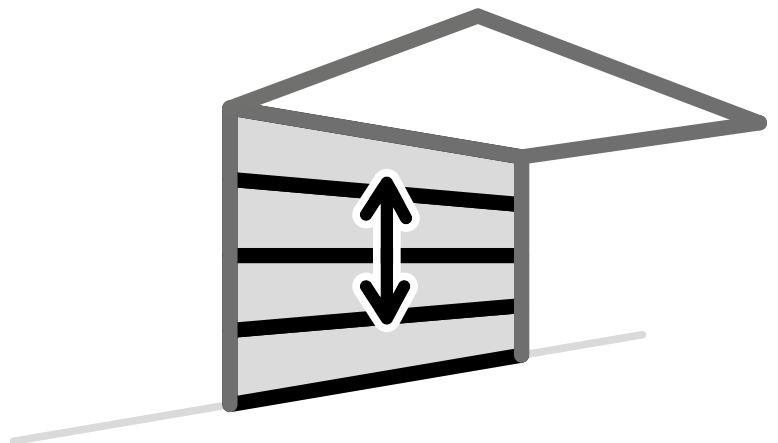
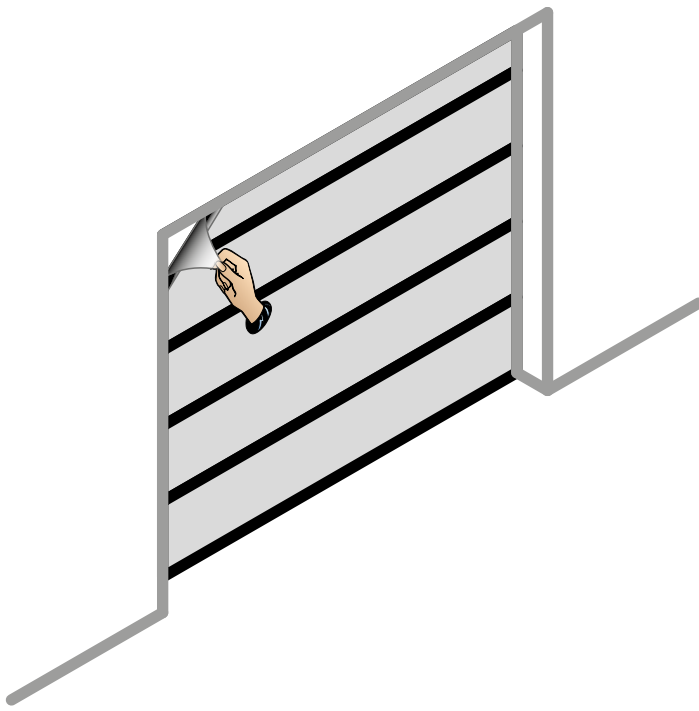
31.1

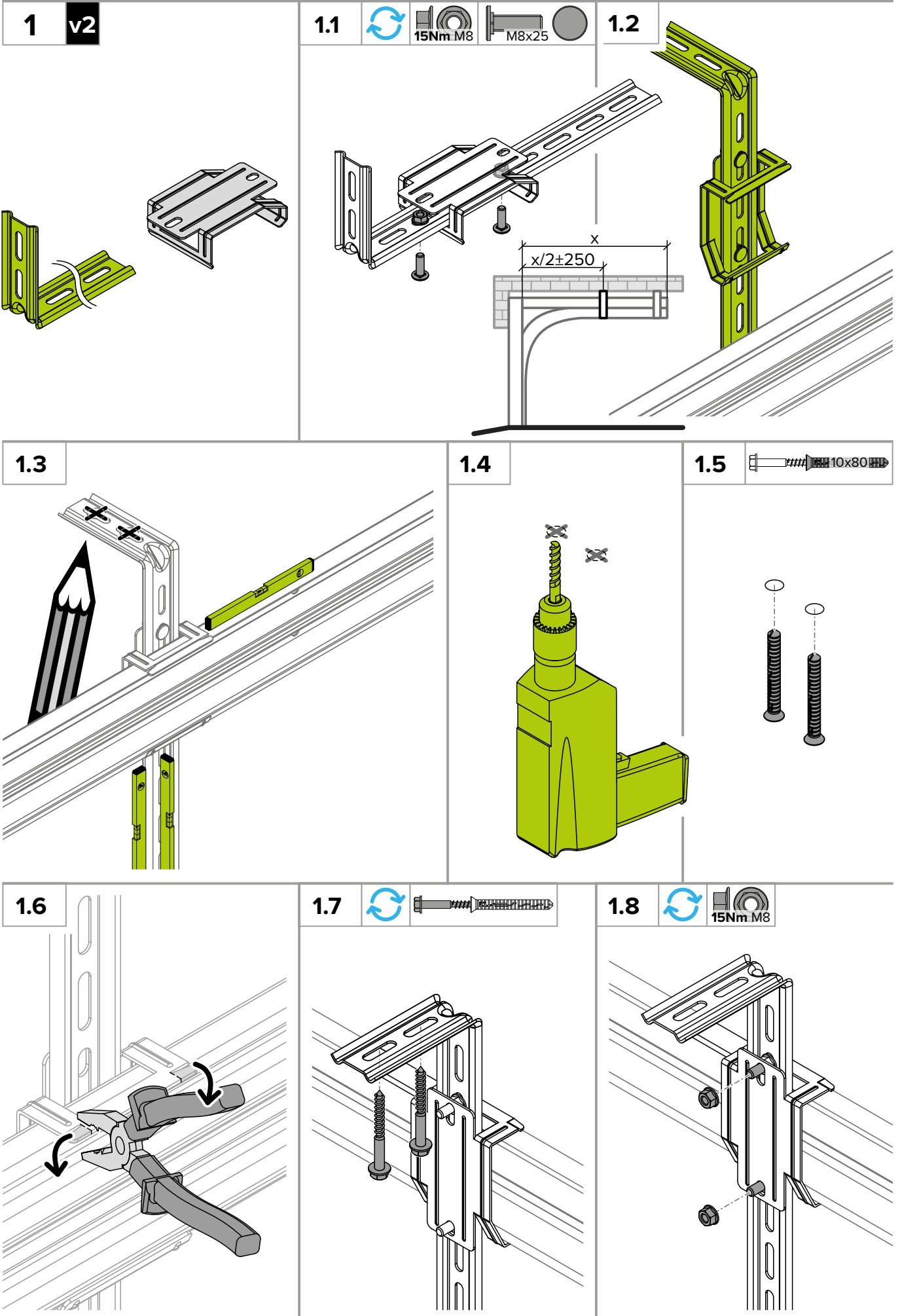


32

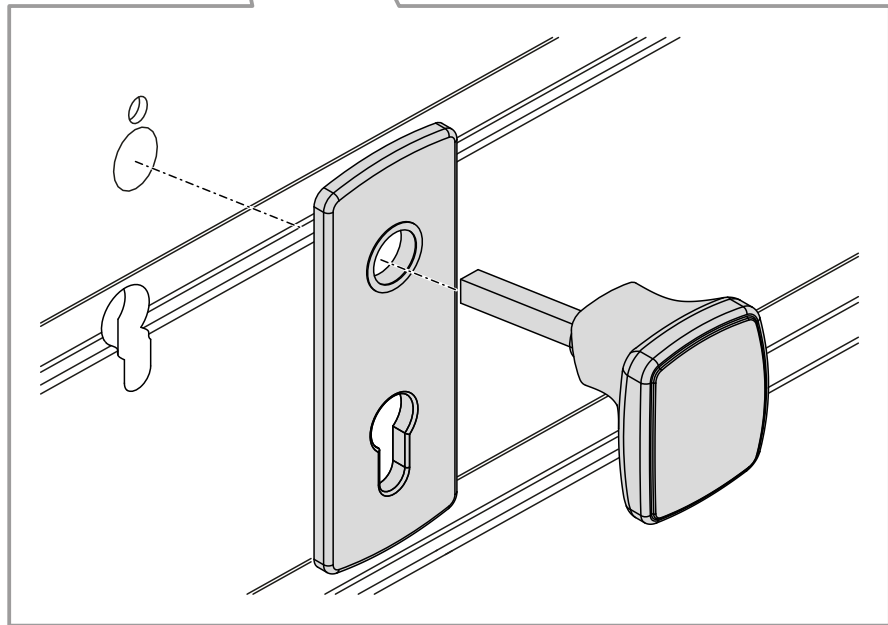
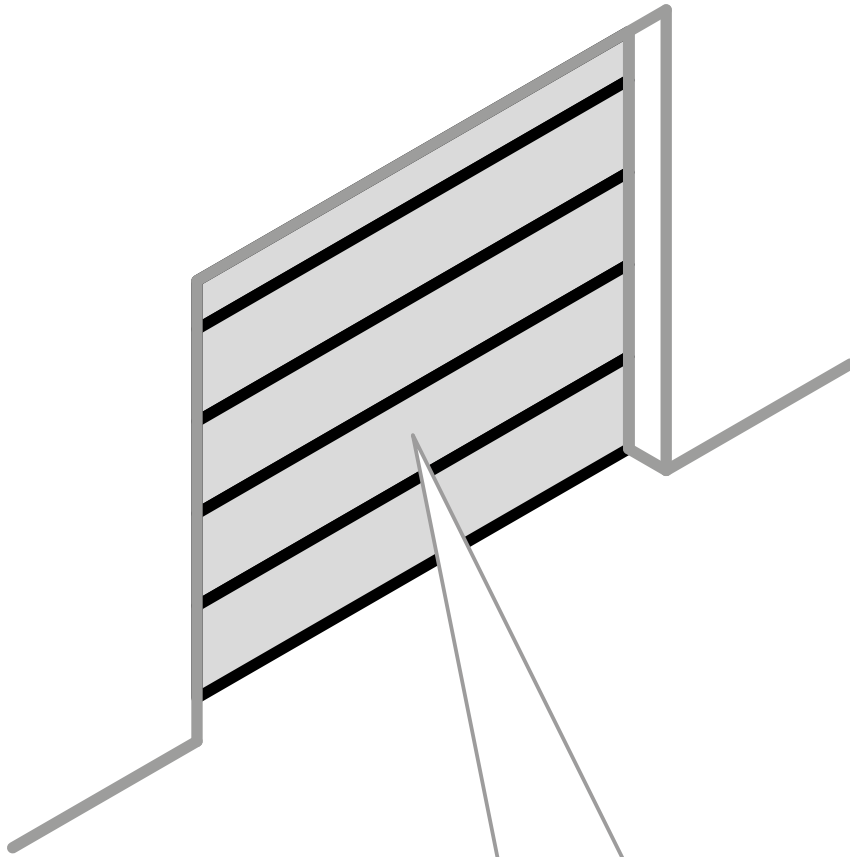


33



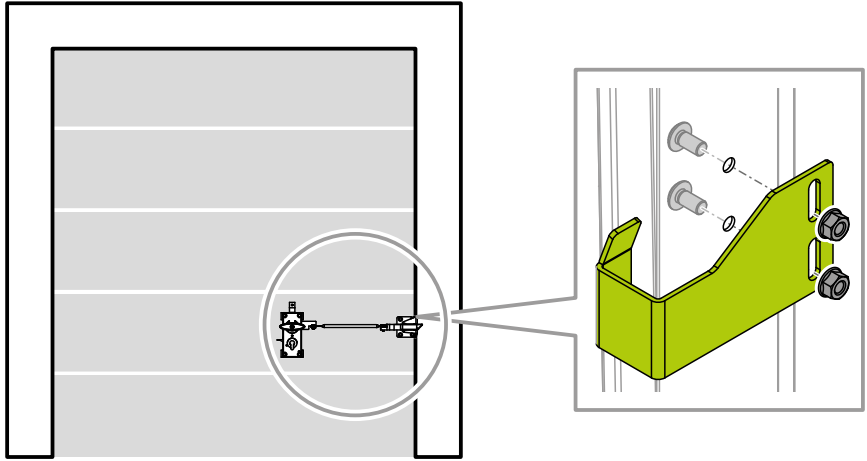







OPTION



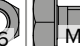





OPTION

3   10



3.1  7-9Nm 6,3x16   7-9Nm 6,3x32  6,4  M5x10

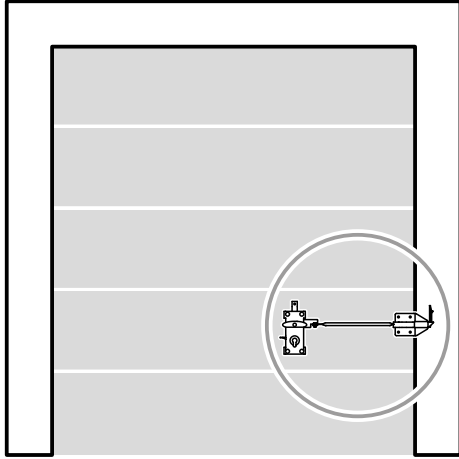
3.2   7Nm M6  M6x12 

3.3  

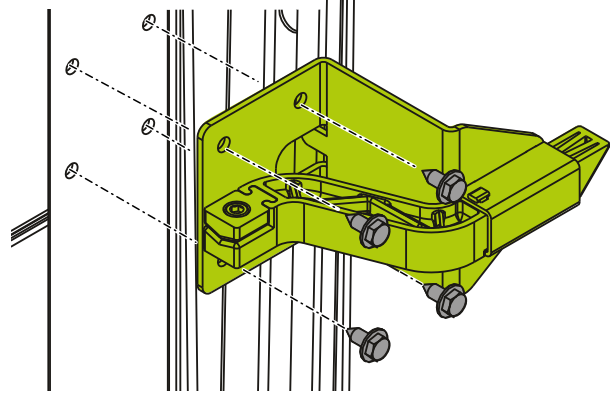
3.4

OPTION

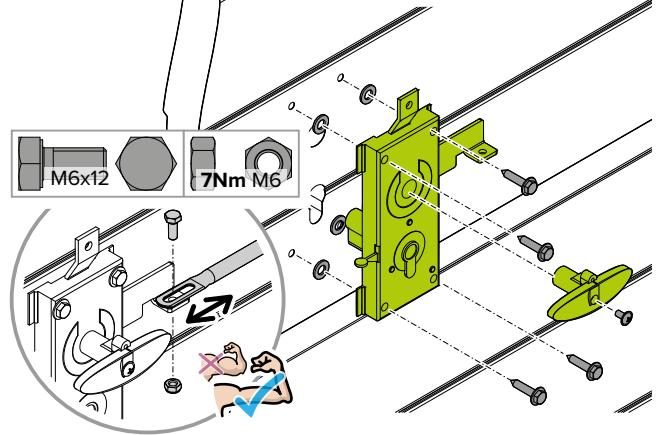
4 15Nm M8 M8x15



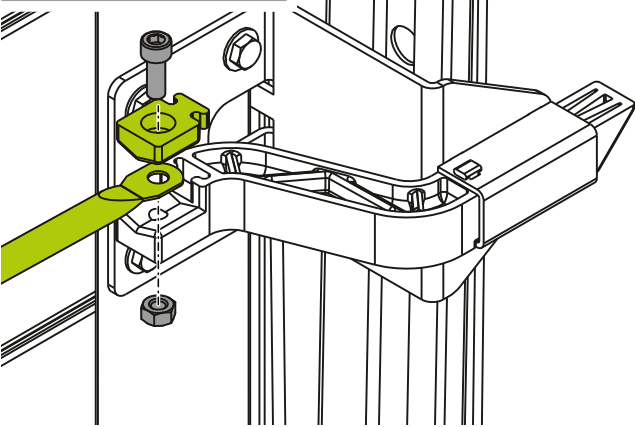
4.1 7-9Nm 6,3x16



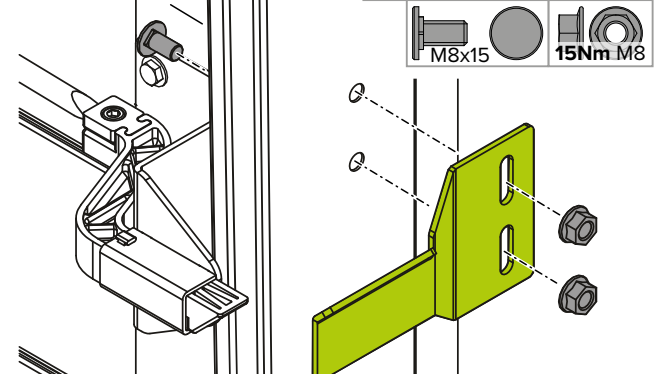
4.2 7-9Nm 6,3x32 6,4 M5x10



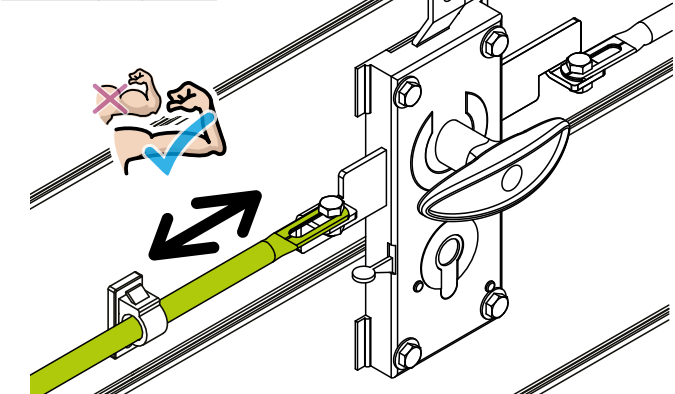
4.3 7Nm M6



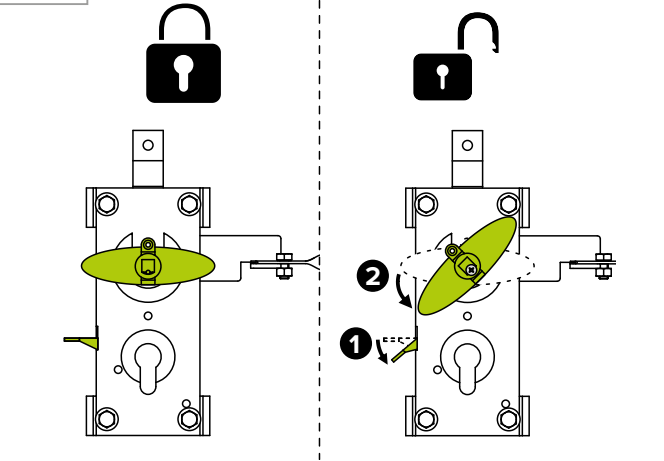
4.4 M8x15 15Nm M8



4.5

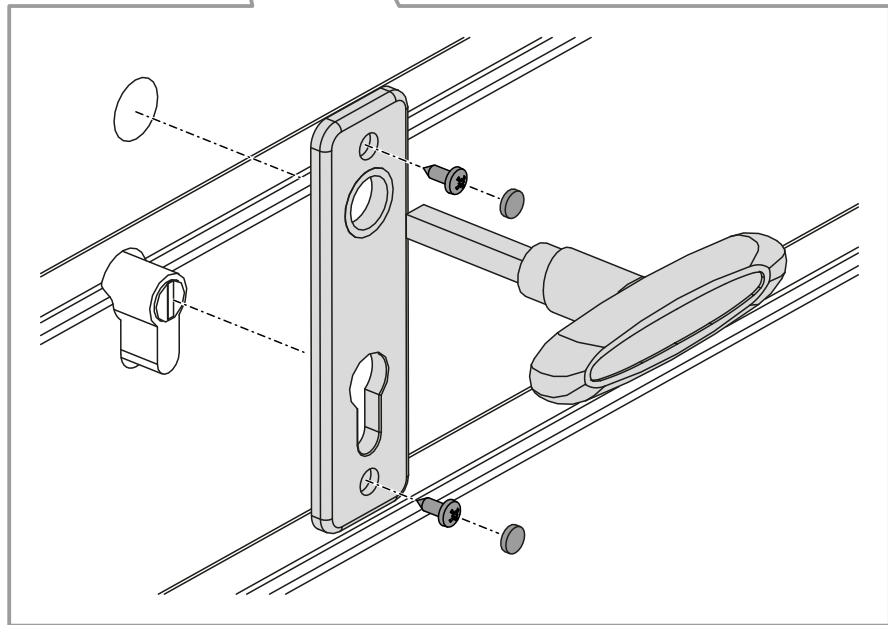
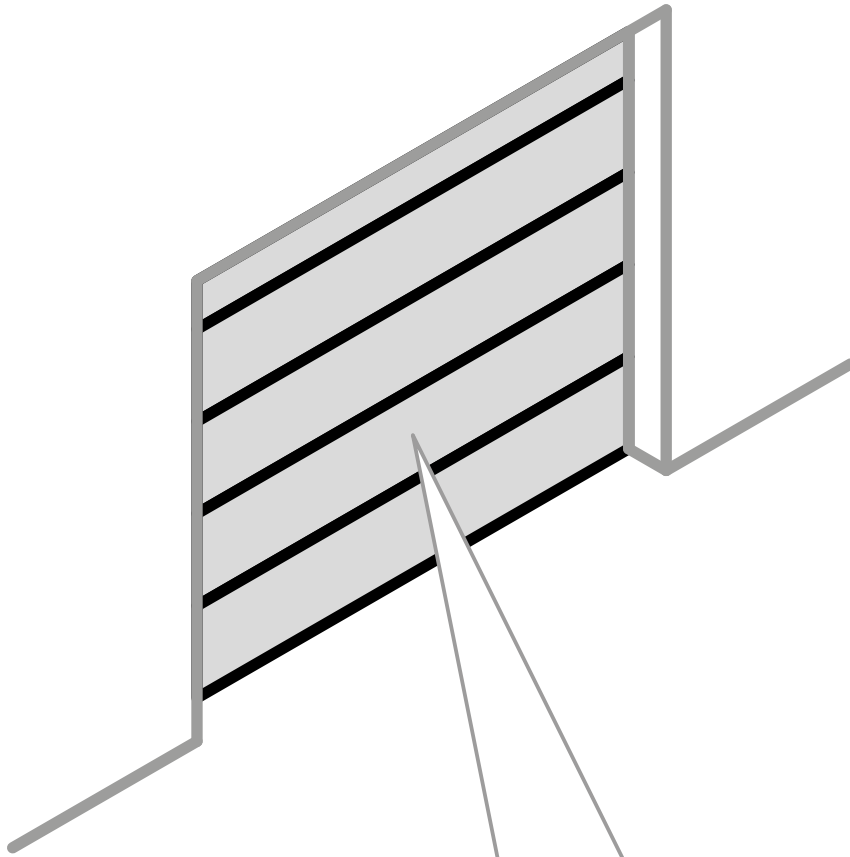


4.6



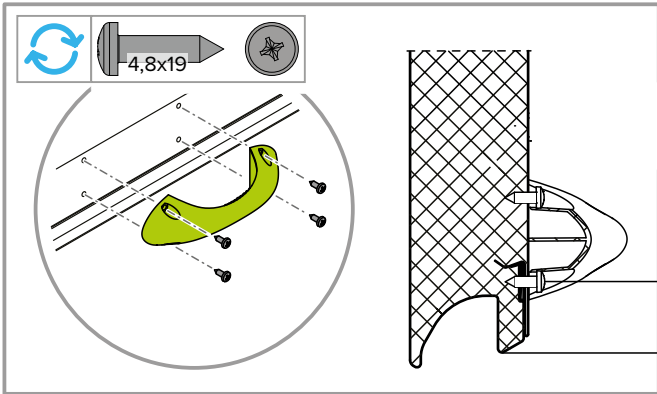
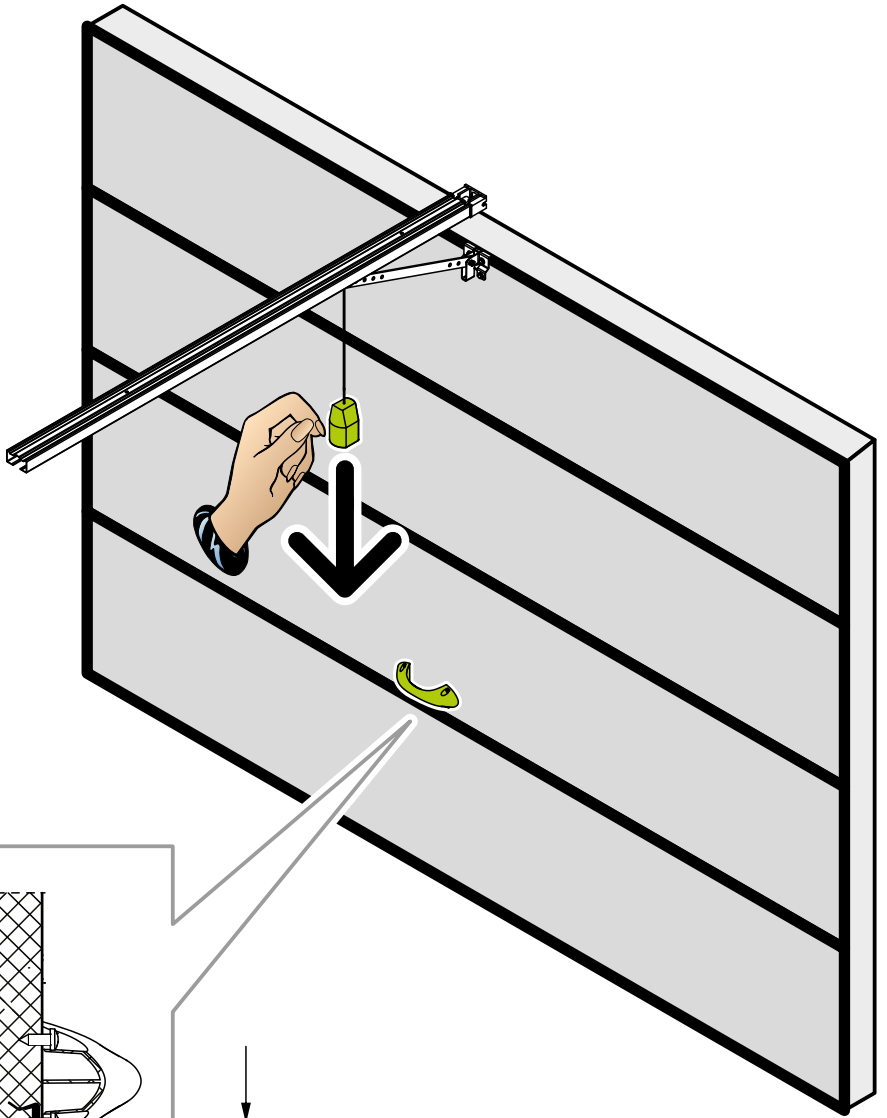
OPTION

5 v2

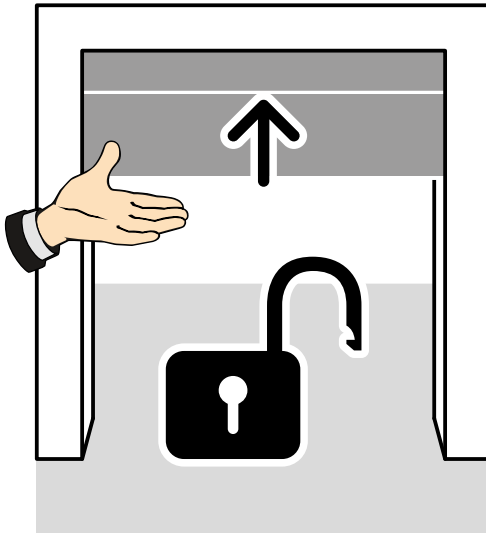


OPTION

6



25 mm

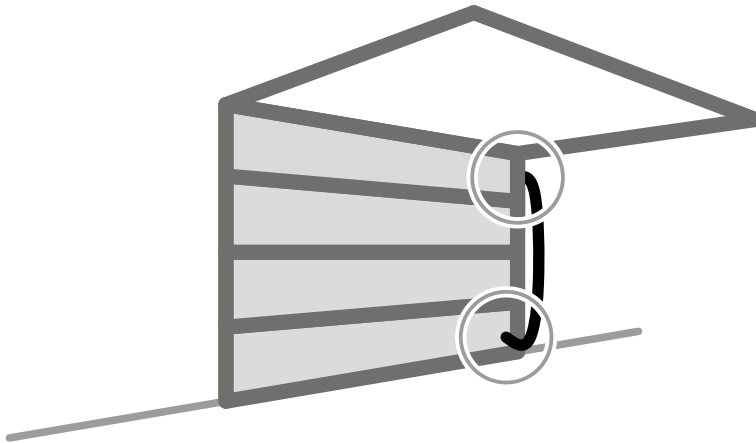


OPTION

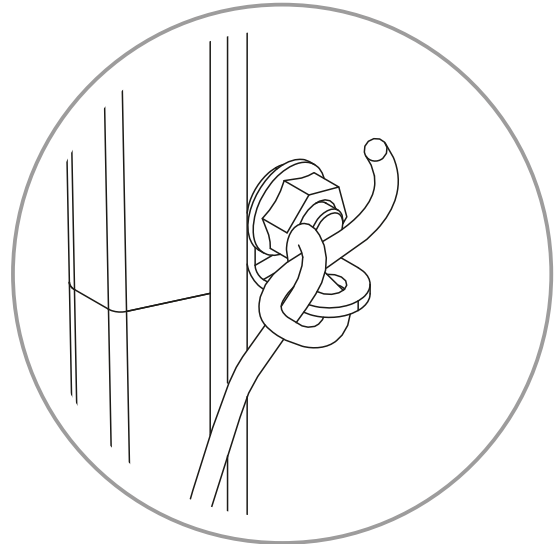
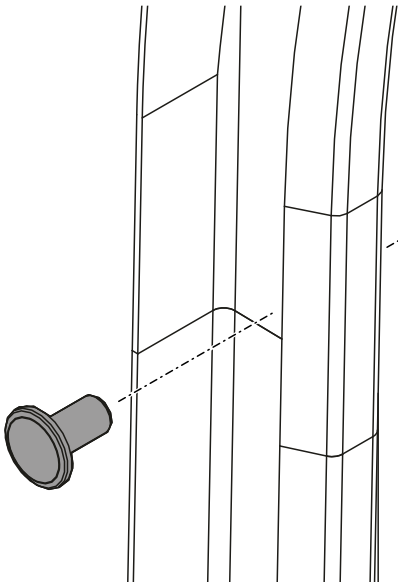
7



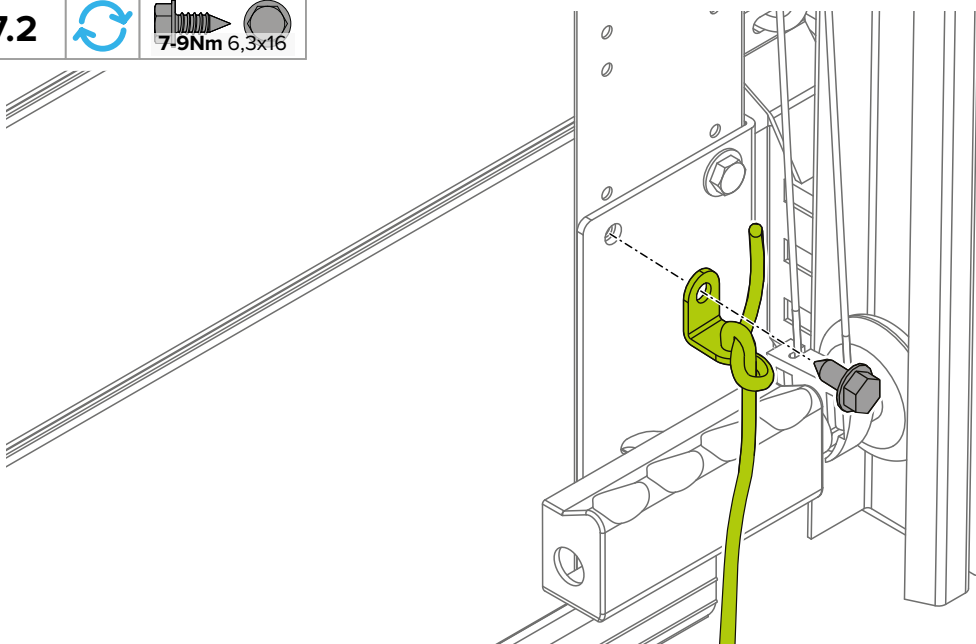
$H_o \geq 2200$ [mm]



7.1

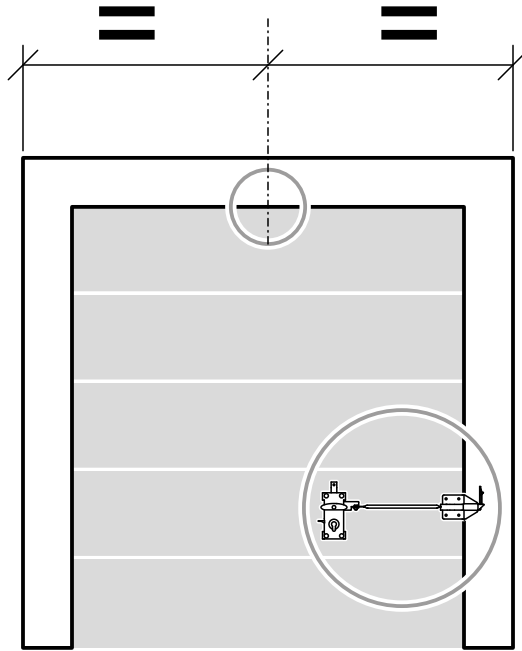


7.2

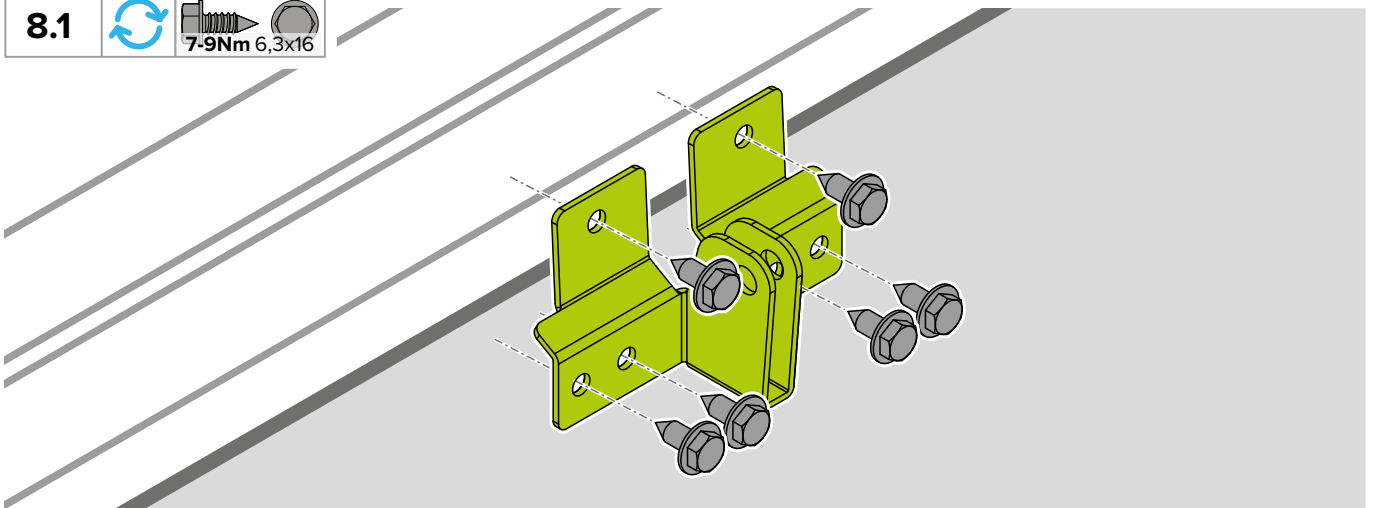


OPTION

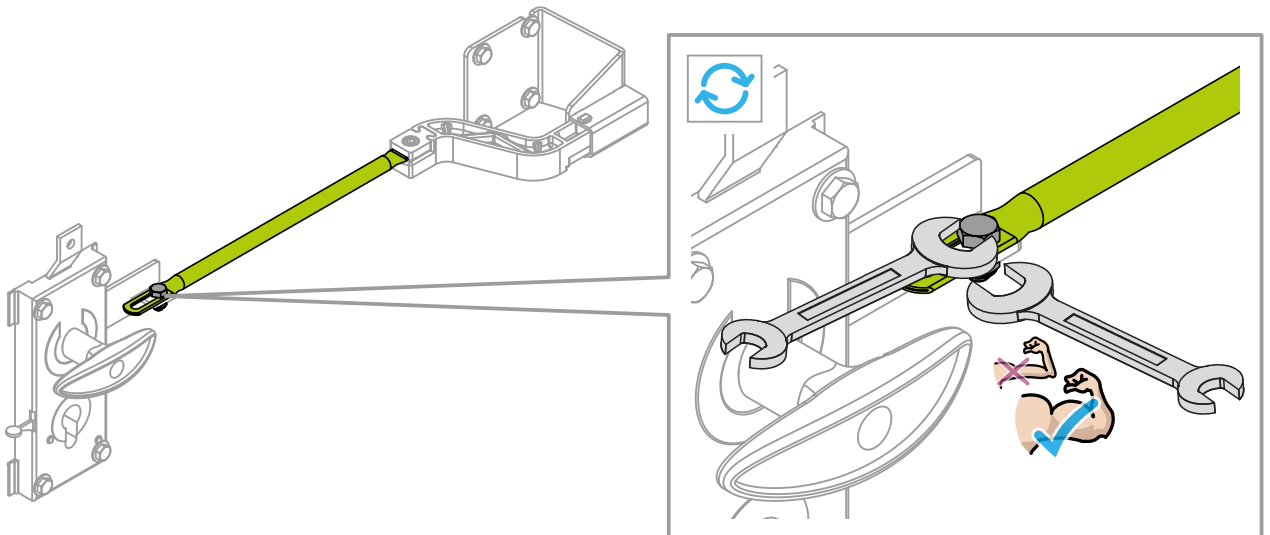
8



8.1

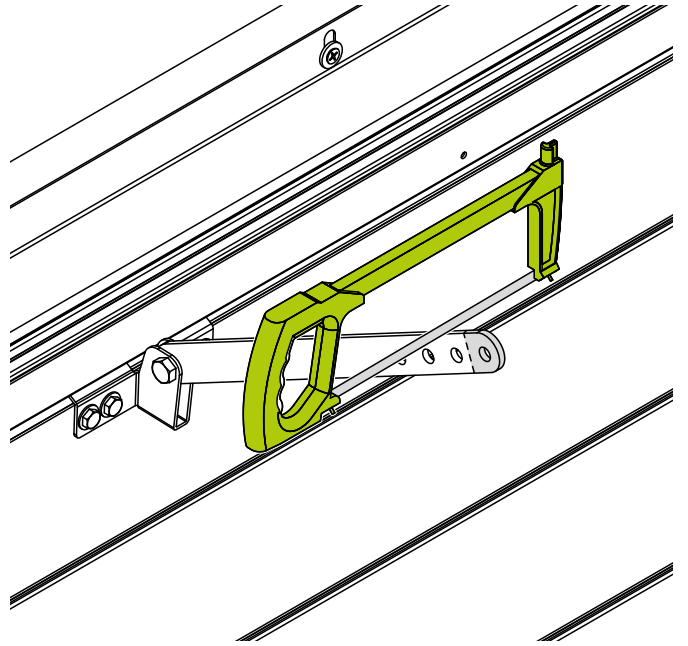
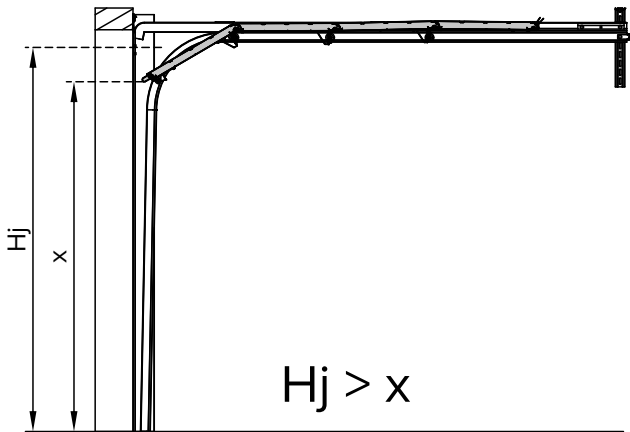


8.2

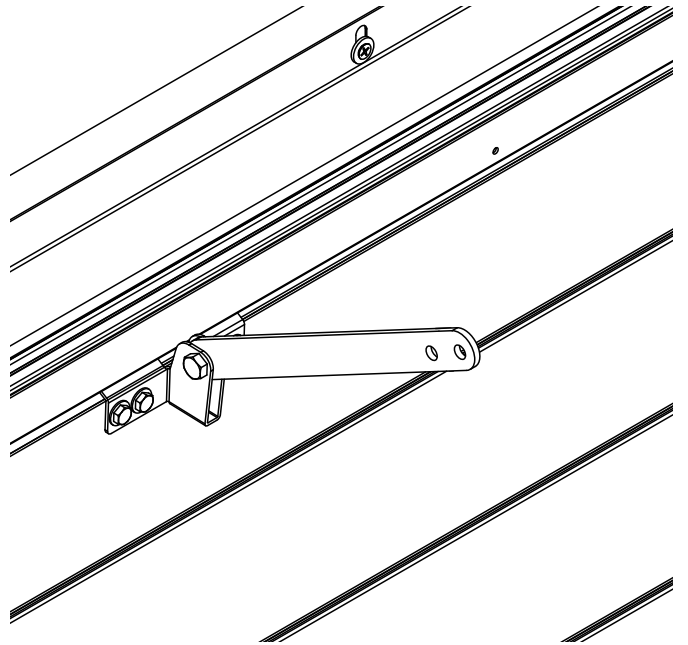
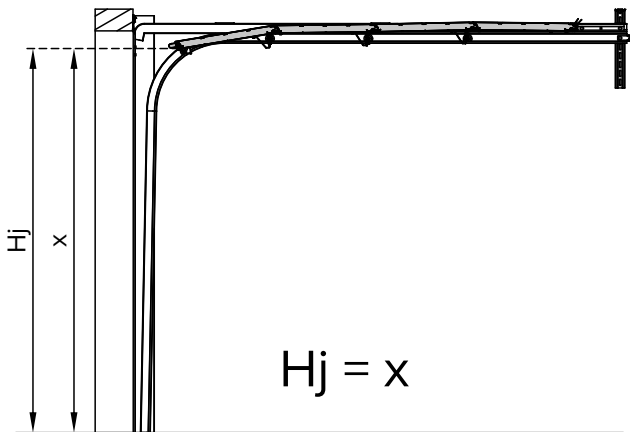


OPTION

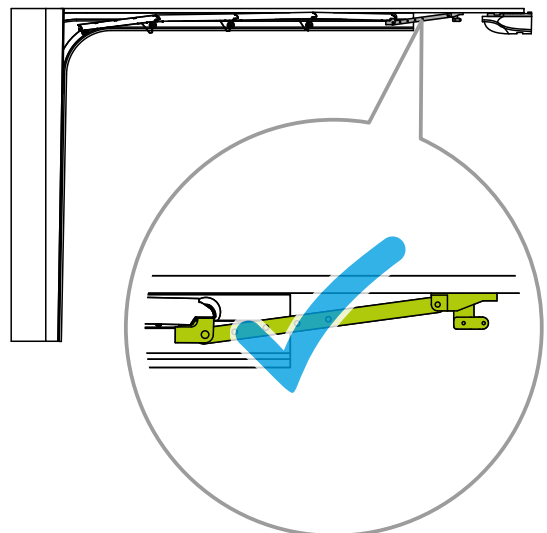
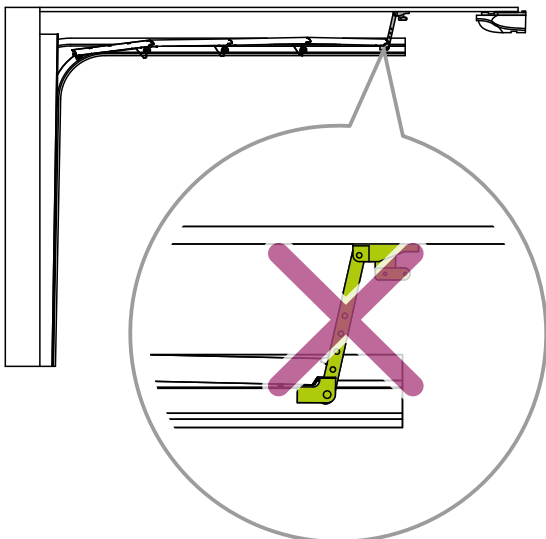
9



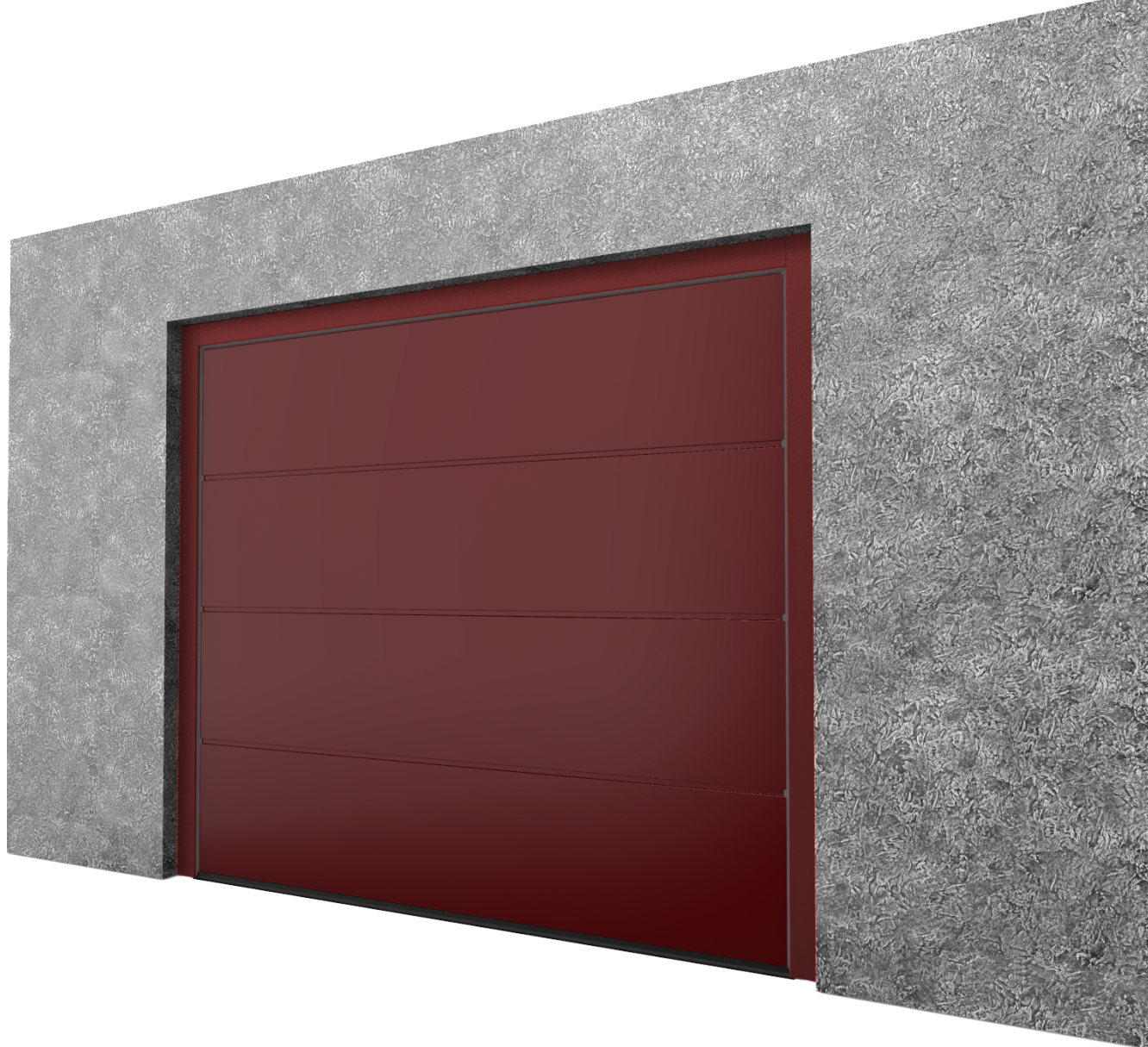
9.1



9.2



OPTION



WIŚNIEWSKI

GATES | WINDOWS | DOORS | FENCES

WIŚNIEWSKI Sp. z o.o. S.K.A.

PL 33-311 Wielogłowy 153

TEL. **+48 18 44 77 111**

FAX **+48 18 44 77 110**

www.wisniowski.pl

N = 49° 40' 10" E = 20° 41' 12"



07/2022/ID-80266/KTM-653A335802661